

SINGLE ROW STRAIGHT POLARISED HEADER

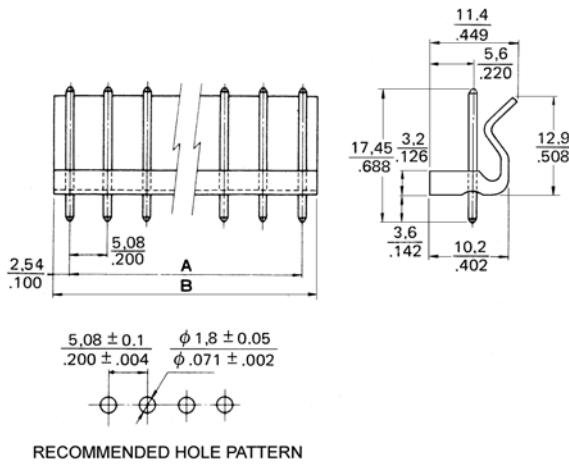


5082 SERIES 5.08mm (0.200") Square Pin. For PCB Solder

Features

- Available in 2 through 12 circuits
- Insulation Material: Nylon 6/6 UL 94V-2
- 1.14mm(.045") square pin in copper alloy
- Mates with 5080, 5081, 1507 and 1508 series socket
- Polarised with friction lock
- Pin omit options are available
- For **GWT** option (Glow Wire Test Approval), please Add **E** at the end of Part Number (Example: 5082-XXXXE)

Dimensional Information



Ordering and Dimensional Information

Circuit Size	Part Number	Dimensions	
		A	B
02	5082-2021	5,08(0,200)	10,16(0,400)
03	5082-2031	10,16(0,400)	15,24(0,600)
04	5082-2041	15,24(0,600)	20,32(0,800)
05	5082-2051	20,32(0,800)	25,40(1,000)
06	5082-2061	25,40(1,000)	30,48(1,200)
07	5082-2071	30,48(1,200)	35,56(1,400)
08	5082-2081	35,56(1,400)	40,64(1,600)
09	5082-2091	40,64(1,600)	45,72(1,800)
10	5082-2101	45,72(1,800)	50,80(2,000)
11	5082-2111	50,80(2,000)	55,88(2,200)
12	5082-2121	55,88(2,200)	60,96(2,400)

SINGLE ROW R/ANGLE POLARISED HEADER

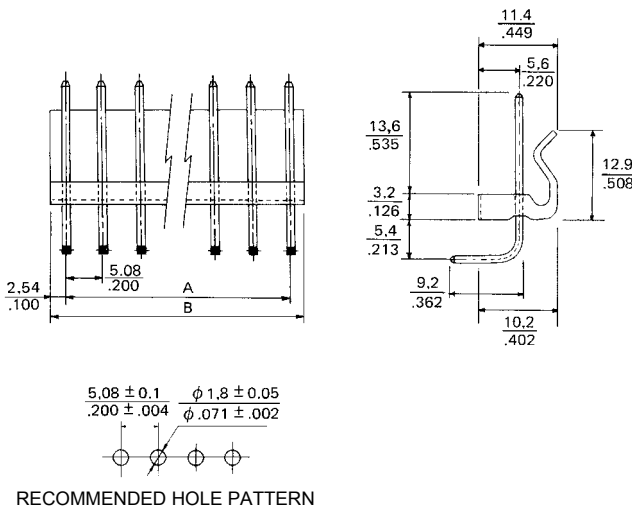


5083 SERIES 5.08mm (0.200") Square Pin. For PCB Solder

Features

- Available in 2 through 12 circuits
- Insulation Material: Nylon 6/6 UL 94V-2
- 1.14mm(.045") square pin in copper alloy
- Mates with 5080, 5081, 1507 and 1508 series socket
- Polarised with friction lock
- Pin omit options are available
- For **GWT** option (Glow Wire Test Approval), please Add **E** at the end of Part Number (Example: 5083-XXXXE)

Dimensional Information



Ordering and Dimensional Information

Circuit Size	Part Number	Dimensions	
		A	B
02	5083-2021	5,08(0,200)	10,16(0,400)
03	5083-2031	10,16(0,400)	15,24(0,600)
04	5083-2041	15,24(0,600)	20,32(0,800)
05	5083-2051	20,32(0,800)	25,40(1,000)
06	5083-2061	25,40(1,000)	30,48(1,200)
07	5083-2071	30,48(1,200)	35,56(1,400)
08	5083-2081	35,56(1,400)	40,64(1,600)
09	5083-2091	40,64(1,600)	45,72(1,800)
10	5083-2101	45,72(1,800)	50,80(2,000)
11	5083-2111	50,80(2,000)	55,88(2,200)
12	5083-2121	55,88(2,200)	60,96(2,400)