

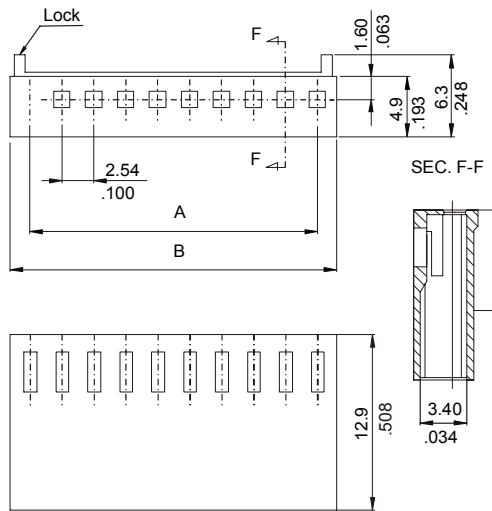
POLARISED CRIMP TERMINAL HOUSING

2544-A SERIES 2.54mm (0.100") With Locking Ramp

Features

- Available in 2 through 20 circuits
- Polarised with locking ramp
- Material : Nylon UL 94V-0
- Accepts 2044 series crimp terminal
- Mates with 2532, 2534, 2545, 2542, 2549, 2556 and 2567 series
- Colour: Natural

Dimensional Information



Ordering and Dimensional Information

Circuit Size	Part Number	Dimensions	
		A	B
02	2544 - 2021	2,54(0,100)	5,70(0,224)
03	2544 - 2031	5,08(0,200)	8,24(0,324)
04	2544 - 2041	7,62(0,300)	10,78(0,424)
05	2544 - 2051	10,16(0,400)	13,32(0,524)
06	2544 - 2061	12,70(0,500)	15,86(0,624)
07	2544 - 2071	15,24(0,600)	18,40(0,724)
08	2544 - 2081	17,78(0,700)	20,94(0,824)
09	2544 - 2091	20,32(0,800)	23,48(0,924)
10	2544 - 2101	22,86(0,900)	26,02(1,024)
11	2544 - 2111	25,40(1,000)	28,56(1,124)
12	2544 - 2121	27,94(1,100)	31,10(1,224)
13	2544 - 2131	30,48(1,200)	33,64(1,324)
14	2544 - 2141	33,02(1,300)	36,18(1,424)
15	2544 - 2151	35,56(1,400)	38,72(1,524)
16	2544 - 2161	38,10(1,500)	41,26(1,624)
17	2544 - 2171	40,64(1,600)	43,80(1,724)
18	2544 - 2181	43,18(1,700)	46,34(1,824)
19	2544 - 2191	45,72(1,800)	48,88(1,924)
20	2544 - 2201	48,26(1,900)	51,42(2,024)

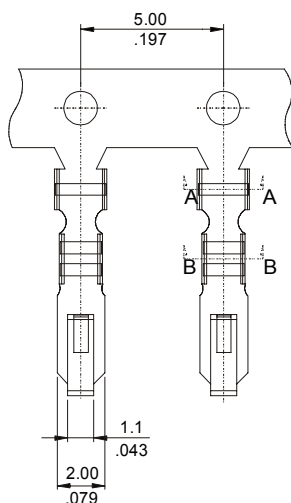
CRIMP TERMINAL

2044 SERIES. 2.54mm Crimp Terminal

Features

- Accommodates wires ranges AWG 22-28
- Material: Pre-finned copper Alloy
- Different material options are available
- Mates with 2544 A, 2544 B and 2430 series socket
- Insulation diameter: 1.50mm(0.059") Max.

Dimensional Information



Ordering and Dimensional Information

Reel Quantity	Part Number	Material	Wire Ranges	Insulation Diameter
8,000Pcs (Reel)	2044 - 2000	Tin Plating	AWG 22 - 28	1.50 (0.059") Max.
Loose Piece	2044 - 2001	Tin Plating	AWG 22 - 28	1.50 (0.059") Max.

