

CRIMP TERMINAL

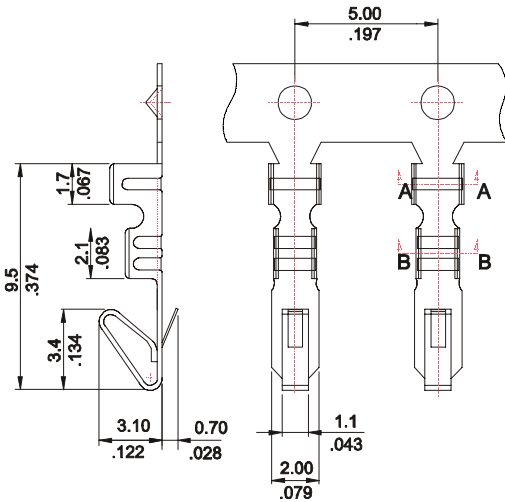


2044 SERIES 2.54mm Crimp Terminal

Features

- Accommodates wires ranges AWG 22-28
- Material: Pre-tinned copper Alloy
- Different plating options are available
- Mates with 2544 A, 2544 B and 2430 series crimp housing
- Insulation diameter: 1.50 (0.059") Max.

Dimensional Information



Ordering and Dimensional Information

Reel Quantity	Part Number	Material		Insulation Diameter
8,000Pcs (Reel)	2044 - 2000	Tin Plating	AWG 22 - 28	1.50 (0.059") Max.
Loose Piece	2044 - 2001	Tin Plating	AWG 22 - 28	1.50 (0.059") Max.

