

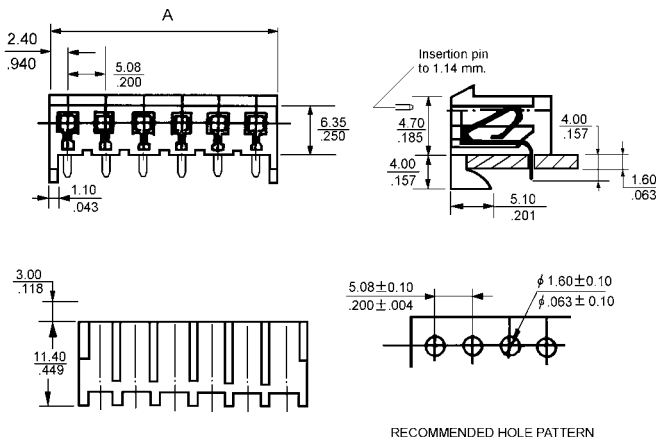
5.08mm RIGHT ANGLE PCB CONNECTOR

1508 SERIES 5.08mm (0.200") For PCB Solder

Features

- Available in 2 through 20 circuits
- Insulator Material: Nylon 6/6 UL 94V-2
- For board to board applications
- Available with and without locking ramp
- Mates with 1.14mm (0.45") square or round pin
- Designed for right angle board stacking

Dimensional Information



Ordering and Dimensional Information

| Circuit Size | Part Number | | Dimensions |
|--------------|-------------|--------------|---------------|
| | With ramp | Without ramp | |
| 02 | 1508-2021 | 1508-2022 | 10,16(0,400) |
| 03 | 1508-2031 | 1508-2032 | 15,24(0,600) |
| 04 | 1508-2041 | 1508-2042 | 20,32(0,800) |
| 05 | 1508-2051 | 1508-2052 | 25,40(1,000) |
| 06 | 1508-2061 | 1508-2062 | 30,48(1,200) |
| 07 | 1508-2071 | 1508-2072 | 35,56(1,400) |
| 08 | 1508-2081 | 1508-2082 | 40,64(1,600) |
| 09 | 1508-2091 | 1508-2092 | 45,72(1,800) |
| 10 | 1508-2101 | 1508-2102 | 50,80(2,000) |
| 11 | 1508-2111 | 1508-2112 | 55,88(2,200) |
| 12 | 1508-2121 | 1508-2122 | 60,96(2,400) |
| 13 | 1508-2131 | 1508-2132 | 66,04(2,600) |
| 14 | 1508-2141 | 1508-2142 | 71,12(2,800) |
| 15 | 1508-2151 | 1508-2152 | 76,20(3,000) |
| 16 | 1508-2161 | 1508-2162 | 81,28(3,200) |
| 17 | 1508-2171 | 1508-2172 | 86,36(3,400) |
| 18 | 1508-2181 | 1508-2182 | 91,44(3,600) |
| 19 | 1508-2191 | 1508-2192 | 96,52(3,800) |
| 20 | 1508-2201 | 1508-2202 | 101,80(4,000) |

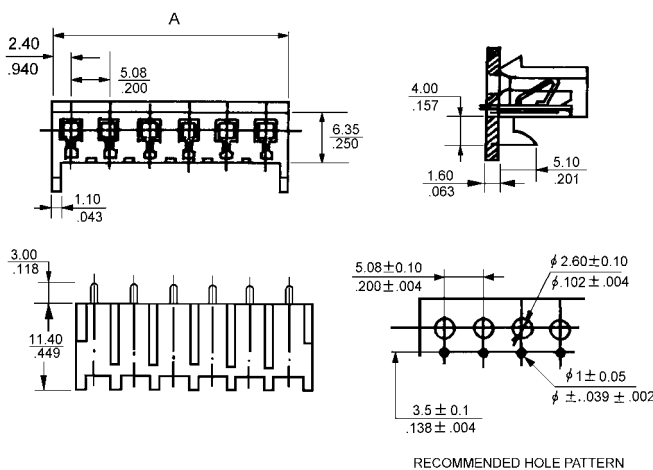
5.08mm BOTTOM ENTRY PCB CONNECTOR

1509 SERIES 5.08mm (0.200") For PCB Solder

Features

- Available in 2 through 20 circuits
- Insulator Material: Nylon 6/6 UL 94V-2
- For board to board applications
- Available with and without locking ramp
- Mates with 1.14mm (0.45") square or round pin
- Designed for parallel board stacking

Dimensional Information



Ordering and Dimensional Information

| Circuit Size | Part Number | | Dimensions |
|--------------|-------------|--------------|---------------|
| | With ramp | Without ramp | |
| 02 | 1509-2021 | 1509-2022 | 10,16(0,400) |
| 03 | 1509-2031 | 1509-2032 | 15,24(0,600) |
| 04 | 1509-2041 | 1509-2042 | 20,32(0,800) |
| 05 | 1509-2051 | 1509-2052 | 25,40(1,000) |
| 06 | 1509-2061 | 1509-2062 | 30,48(1,200) |
| 07 | 1509-2071 | 1509-2072 | 35,56(1,400) |
| 08 | 1509-2081 | 1509-2082 | 40,64(1,600) |
| 09 | 1509-2091 | 1509-2092 | 45,72(1,800) |
| 10 | 1509-2101 | 1509-2102 | 50,80(2,000) |
| 11 | 1509-2111 | 1509-2112 | 55,88(2,200) |
| 12 | 1509-2121 | 1509-2122 | 60,96(2,400) |
| 13 | 1509-2131 | 1509-2132 | 66,04(2,600) |
| 14 | 1509-2141 | 1509-2142 | 71,12(2,800) |
| 15 | 1509-2151 | 1509-2152 | 76,20(3,000) |
| 16 | 1509-2161 | 1509-2162 | 81,28(3,200) |
| 17 | 1509-2171 | 1509-2172 | 86,36(3,400) |
| 18 | 1509-2181 | 1509-2182 | 91,44(3,600) |
| 19 | 1509-2191 | 1509-2192 | 96,52(3,800) |
| 20 | 1509-2201 | 1509-2202 | 101,80(4,000) |