

# DUAL ROW STRAIGHT SHROUDED HEADER

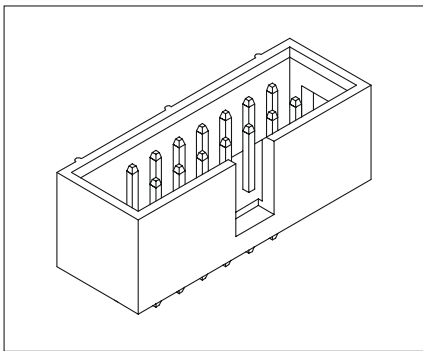
## 1546 SERIES. 1.27 x 2.54mm(0.050 x 0.100"). Low Profile

### Features

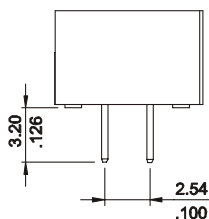
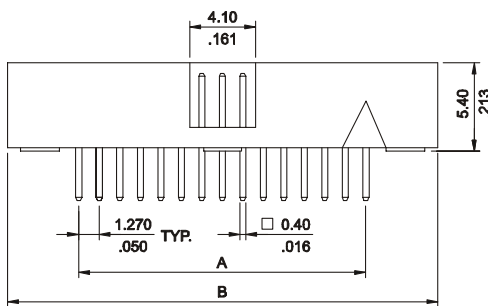
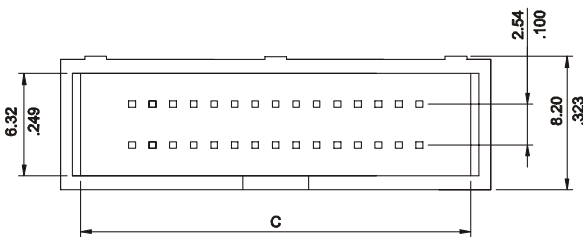
- Available in 10, 20, 30, 40, 50, 60, 70, 80, 90 and 100 circuits
- Mates with 1.27 x 2.54mm socket 1540 series
- Contact Material: Copper alloy
- Insulator Material: P.B.T. UL 94V-0
- Different plating options are available
- Fully shrouded
- For other options consult the Sales Office

### Dimensional Information

### Ordering and Dimensional Information



Circuit Size	Part Number	Dimensions		
		A	B	C
10	1546 - T010	5.08 (0.200)	14.00 (0.551)	11.60 (0.457)
20	1546 - T020	11.43 (0.450)	20.40 (0.803)	18.00 (0.709)
30	1546 - T030	17.78 (0.700)	26.70 (1.051)	24.30 (0.957)
40	1546 - T040	24.13 (0.950)	33.10 (1.303)	30.70 (1.209)
50	1546 - T050	30.48 (1.200)	39.40 (1.551)	37.00 (1.457)
60	1546 - T060	36.83 (1.450)	45.80 (1.803)	43.40 (1.709)
70	1546 - T070	43.18 (1.700)	52.10 (2.051)	49.70 (1.957)
80	1546 - T080	49.53 (1.950)	58.50 (2.303)	56.10 (2.209)
90	1546 - T090	55.88 (2.200)	64.80 (2.551)	62.40 (2.457)
100	1546 - T100	62.23 (2.450)	71.60 (2.819)	69.20 (2.724)



### T = Contact Plating

- T = 2. Tin plated
- T = 3. Gold flash over 50μ" nickel  
Recommended Finish
- T = 5. 15μ" gold over 50μ" nickel
- T = 6. 30μ" gold over 50μ" nickel
- T = 13. Selective gold flash over 50μ" nickel.
- T = 15. 15μ" selective gold over 50μ" nickel
- T = 16. 30μ" selective gold over 50μ" nickel

