

SINGLE ROW STRAIGHT HEADER SMT

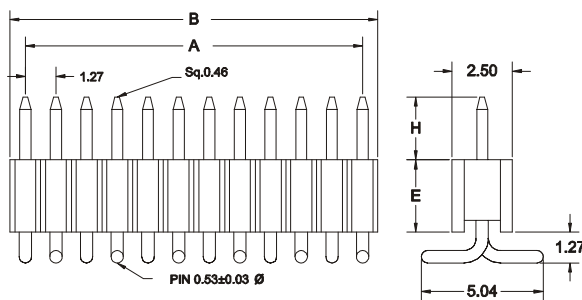
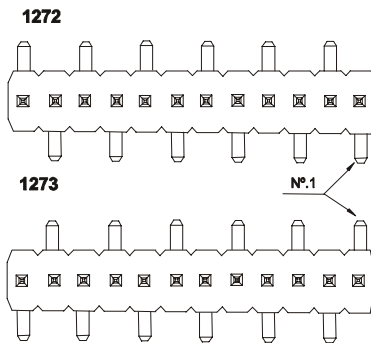
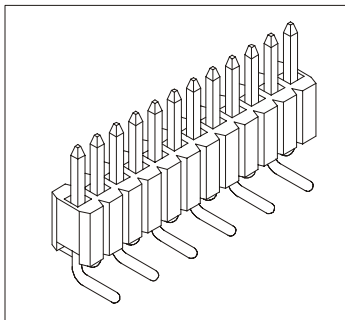


1272-1273 SERIES. 1.27mm(0.050"). For PCB Solder

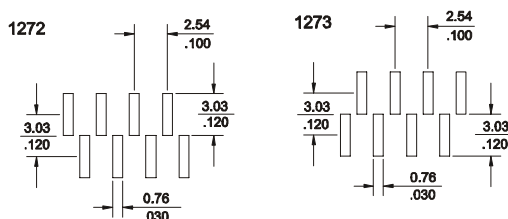
Features

- Available in 3 through 32 circuits
- Mates with 1.27mm single row housing and headers
- Insulator Material: Glass filled polyester UL 94V-0
- Different plating options are available
- Two different configuration and pin lengths available
- 0.46mm square pin in contact area
- 0.53mm round pin in solder area
- For other options consult the Sales Office

Dimensional Information



RECOMMENDED PCB LAYOUT



Ordering and Dimensional Information

Circuit Size	Part Number		Dimension	
	1272 Series	1273 Series	A	B
03	1272-T03SC	1273-T03SC	2,54(0,100)	3,81(0,150)
04	1272-T04SC	1273-T04SC	3,81(0,150)	5,08(0,200)
05	1272-T05SC	1273-T05SC	5,08(0,200)	6,35(0,250)
06	1272-T06SC	1273-T06SC	6,35(0,250)	7,62(0,300)
07	1272-T07SC	1273-T07SC	7,62(0,300)	8,89(0,350)
08	1272-T08SC	1273-T08SC	8,89(0,350)	10,16(0,400)
09	1272-T09SC	1273-T09SC	10,16(0,400)	11,43(0,450)
10	1272-T10SC	1273-T10SC	11,43(0,450)	12,70(0,500)
11	1272-T11SC	1273-T11SC	12,70(0,500)	13,97(0,550)
12	1272-T12SC	1273-T12SC	13,97(0,550)	15,24(0,600)
13	1272-T13SC	1273-T13SC	15,24(0,600)	16,51(0,650)
14	1272-T14SC	1273-T14SC	16,51(0,650)	17,78(0,700)
15	1272-T15SC	1273-T15SC	17,78(0,700)	19,05(0,750)
16	1272-T16SC	1273-T16SC	19,05(0,750)	20,32(0,800)
17	1272-T17SC	1273-T17SC	20,32(0,800)	21,59(0,850)
18	1272-T18SC	1273-T18SC	21,59(0,850)	22,86(0,900)
19	1272-T19SC	1273-T19SC	22,86(0,900)	24,13(0,950)
20	1272-T20SC	1273-T20SC	24,13(0,950)	25,40(1,000)
21	1272-T21SC	1273-T21SC	25,40(1,000)	26,67(1,050)
22	1272-T22SC	1273-T22SC	26,67(1,050)	27,94(1,100)
23	1272-T23SC	1273-T23SC	27,94(1,100)	29,21(1,150)
24	1272-T24SC	1273-T24SC	29,21(1,150)	30,48(1,200)
25	1272-T25SC	1273-T25SC	30,48(1,200)	31,75(1,250)
26	1272-T26SC	1273-T26SC	31,75(1,250)	33,02(1,300)
27	1272-T27SC	1273-T27SC	33,02(1,300)	34,29(1,350)
28	1272-T28SC	1273-T28SC	34,29(1,350)	35,56(1,400)
29	1272-T29SC	1273-T29SC	35,56(1,400)	36,83(1,450)
30	1272-T30SC	1273-T30SC	36,83(1,450)	38,10(1,500)
31	1272-T31SC	1273-T31SC	38,10(1,500)	39,37(1,550)
32	1272-T32SC	1273-T32SC	39,37(1,550)	40,64(1,600)

T = Contact Plating

- T = 2. Tin plated
- T = 3. Gold flash over 50µ" nickel
Recommended Finish
- T = 5. 15µ" gold over 50µ" nickel
- T = 6. 30µ" gold over 50µ" nickel
- T = 13. Selective gold flash over 50µ" nickel
- T = 15. 15µ" selective gold over 50µ" nickel
- T = 16. 30µ" selective gold over 50µ" nickel

S = Insulator Dimensions

- S = 1. Dimension E = 2.54mm (Standard Finish)
- S = 2. Dimension E = 3.00mm
- S = 3. Dimension E = 1.70mm
- S = 4. Dimension E = 3.40mm
- S = 5. Dimension E = 3.95mm
- S = 6. Dimension E = 2.00mm

C = Pin Dimension

- C = 1. H = 2.80mm (Standard Finish)
- C = 2. H = 6.00mm