

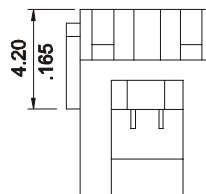
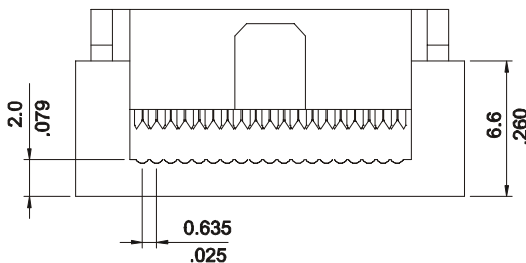
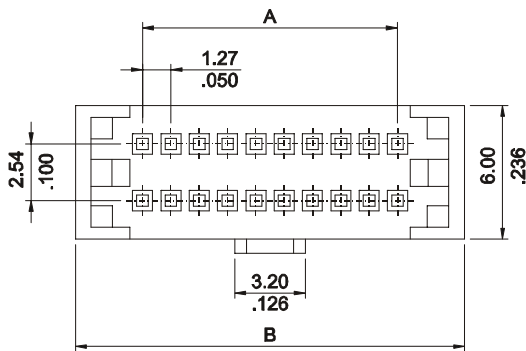
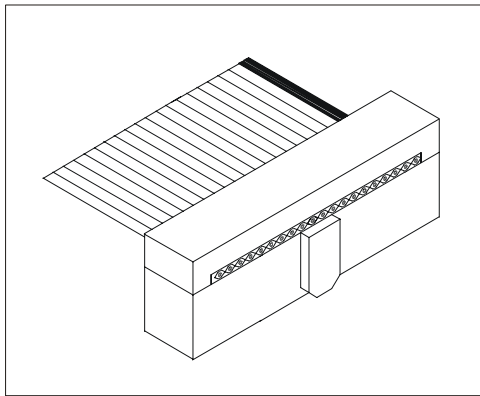
HIGH DENSITY IDC SOCKET FOR FLAT CABLE

1540 SERIES. 1.27 x 2.54mm(0.050 x 0.100")

Features

- Available in 10, 20, 30, 40, 50, 60, 70, 80, 90 and 100 circuits
- Mates with 1546 and 1547 series
- Contact Material: Phosphor bronze
- Insulator Material: PBT UL 94V-0
- Different pin plating options are available
- Accepts 0.635 ribbon cable

Dimensional Information



Ordering and Dimensional Information

Circuit Size	Part Number	Dimensions	
		A	B
10	1540 - T010	5.08 (0.200)	11.10 (0.438)
20	1540 - T020	11.43 (0.450)	17.45 (0.688)
30	1540 - T030	17.78 (0.700)	23.80 (0.938)
40	1540 - T040	24.13 (0.950)	30.15 (1.188)
50	1540 - T050	30.48 (1.200)	36.50 (1.438)
60	1540 - T060	36.83 (1.450)	42.85 (1.688)
70	1540 - T070	43.18 (1.700)	49.20 (1.938)
80	1540 - T080	49.53 (1.950)	55.55 (2.188)
90	1540 - T090	55.88 (2.200)	61.90 (2.438)
100	1540 - T100	62.23 (2.450)	68.35 (2.691)

T = Contact Plating

- T = 2. Tin plated
- T = 3. Gold flash over 50μ" nickel
Recommended Finish
- T = 5. 15μ" gold over 50μ" nickel
- T = 6. 30μ" gold over 50μ" nickel
- T = 13. Selective gold flash over 50μ" nickel
- T = 15. 15μ" selective gold over 50μ" nickel
- T = 16. 30μ" selective gold over 50μ" nickel