

# 1.27mm SINGLE ROW PCB SOCKET

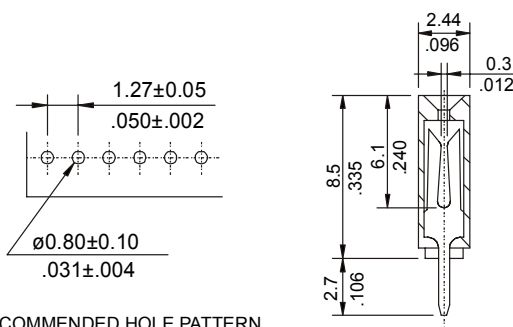
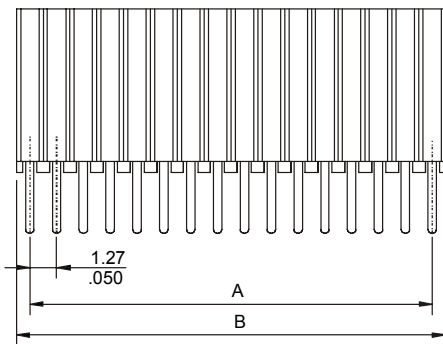
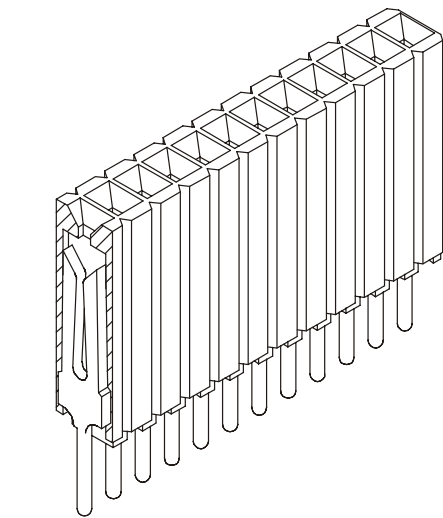


## 1277 SERIES. 1.27mm(0.050"). For PCB Solder

### Features

- Available in 2 through 40 circuits
- Mates with 1.27mm pitch and 0.46mm square or round pin header
- Insulator Material: Polyester UL 94V-0
- Contact Material: Phosphor bronze
- Profile: 8.50mm
- High density PCB socket and high reliability contact
- For other options consult the Sales Office

### Dimensional Information



RECOMMENDED HOLE PATTERN

### Ordering and Dimensional Information

Circuit Size	Part number	Dimensions	
		A	B
02	1277-102C	1.27(0.050)	2.54(0.100)
03	1277-103C	2.54(0.100)	3.81(0.150)
04	1277-104C	3.81(0.150)	5.08(0.200)
05	1277-105C	5.08(0.200)	6.35(0.250)
06	1277-106C	6.35(0.250)	7.62(0.300)
07	1277-107C	7.62(0.300)	8.89(0.350)
08	1277-108C	8.89(0.350)	10.16(0.400)
09	1277-109C	10.16(0.400)	11.43(0.450)
10	1277-110C	11.43(0.450)	12.70(0.500)
11	1277-111C	12.70(0.500)	13.97(0.550)
12	1277-112C	13.97(0.550)	15.24(0.600)
13	1277-113C	15.24(0.600)	16.51(0.650)
14	1277-114C	16.51(0.650)	17.78(0.700)
15	1277-115C	17.78(0.700)	19.05(0.750)
16	1277-116C	19.05(0.750)	20.32(0.800)
17	1277-117C	20.32(0.800)	21.59(0.850)
18	1277-118C	21.59(0.850)	22.86(0.900)
19	1277-119C	22.86(0.900)	24.13(0.950)
20	1277-120C	24.13(0.950)	25.40(1.000)
21	1277-121C	25.40(1.000)	26.67(1.050)
22	1277-122C	26.67(1.050)	27.94(1.100)
23	1277-123C	27.94(1.100)	29.21(1.150)
24	1277-124C	29.21(1.150)	30.48(1.200)
25	1277-125C	30.48(1.200)	31.75(1.250)
26	1277-126C	31.75(1.250)	33.02(1.300)
27	1277-127C	33.02(1.300)	34.29(1.350)
28	1277-128C	34.29(1.350)	35.56(1.400)
29	1277-129C	35.56(1.400)	36.83(1.450)
30	1277-130C	36.83(1.450)	38.10(1.500)
31	1277-131C	38.10(1.500)	39.37(1.550)
32	1277-132C	39.37(1.550)	40.64(1.600)
33	1277-133C	40.64(1.600)	41.91(1.650)
34	1277-134C	41.91(1.650)	43.18(1.700)
35	1277-135C	43.18(1.700)	44.45(1.750)
36	1277-136C	44.45(1.750)	45.72(1.800)
37	1277-137C	45.72(1.800)	46.99(1.850)
38	1277-138C	46.99(1.850)	48.26(1.900)
39	1277-139C	48.26(1.900)	49.53(1.950)
40	1277-140C	49.53(1.950)	50.80(2.000)

### T = Contact Plating

- T = 2. Tin plated
- T = 3. Gold flash over 50µ" nickel  
Recommended Finish
- T = 5. 15µ" gold over 50µ" nickel
- T = 6. 30µ" gold over 50µ" nickel

### C = Pin Length

- C = 2. Dimension D = 3.00mm