

1.25mm HORIZONTAL DIP ZIF CONNECTOR



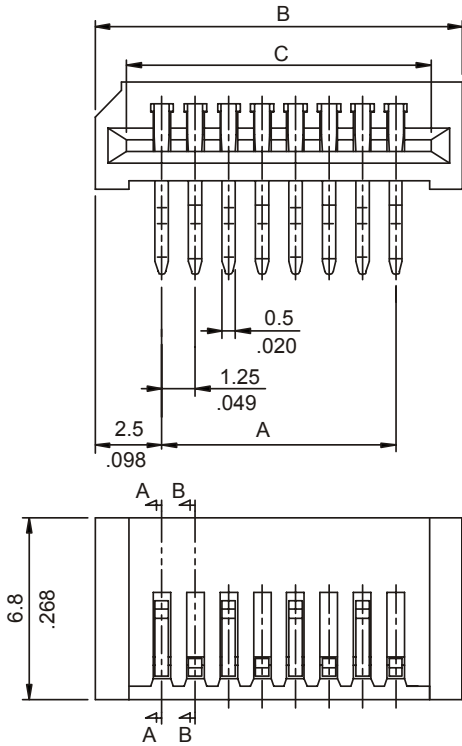
2139 SERIES. 1.25 mm. (0.049"). For PCB Solder.

Features

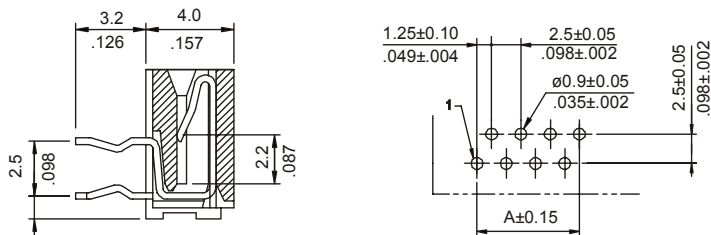
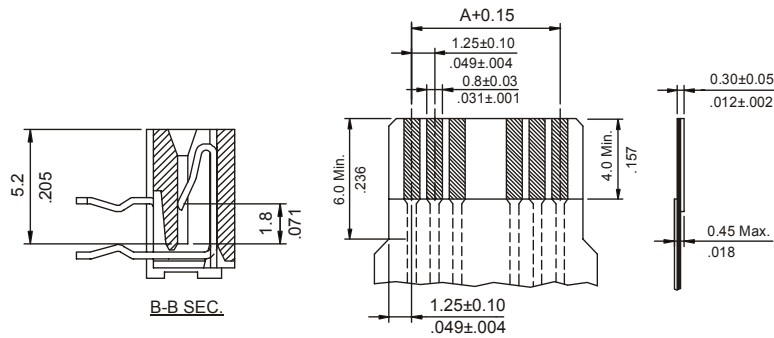
- Available in 4 to 36 circuits
- Insulator Material: Polyester with fibre glass; UL 94V-0
- Low insertion force
- Contacts Tin plated
- Terminal designed to secure stability during soldering process
- For plates of 0.3 mm thickness

Dimensional Information

Ordering and Dimensional Information



CIRCUITS	Part Number	DIMENSIONS		
		A	B	C
04	2139-2041	3,75(0,148)	8,55(0,337)	6,41(0,252)
05	2139-2051	5,00(0,197)	9,80(0,386)	7,66(0,302)
06	2139-2061	6,25(0,246)	11,05(0,435)	8,91(0,351)
07	2139-2071	7,50(0,295)	12,30(0,484)	10,16(0,400)
08	2139-2081	8,75(0,344)	13,55(0,533)	11,41(0,449)
09	2139-2091	10,00(0,394)	14,80(0,583)	12,66(0,498)
10	2139-2101	11,25(0,443)	16,05(0,632)	13,91(0,548)
11	2139-2111	12,50(0,492)	17,30(0,681)	15,16(0,597)
12	2139-2121	13,75(0,541)	18,55(0,730)	16,41(0,646)
13	2139-2131	15,00(0,591)	19,80(0,780)	17,66(0,695)
14	2139-2141	16,25(0,640)	21,05(0,829)	18,91(0,744)
15	2139-2151	17,50(0,689)	22,30(0,878)	20,16(0,794)
16	2139-2161	18,75(0,738)	23,55(0,927)	21,41(0,843)
17	2139-2171	20,00(0,787)	24,80(0,976)	22,66(0,892)
18	2139-2181	21,25(0,837)	26,05(1,026)	23,91(0,941)
19	2139-2191	22,50(0,886)	27,30(1,075)	25,16(0,991)
20	2139-2201	23,75(0,935)	28,55(1,124)	26,41(1,040)
21	2139-2211	25,00(0,984)	29,80(1,173)	27,66(1,089)
22	2139-2221	26,25(1,033)	31,05(1,222)	28,91(1,138)
23	2139-2231	27,50(1,083)	32,30(1,272)	30,16(1,187)
24	2139-2241	28,75(1,132)	33,55(1,321)	31,41(1,237)
25	2139-2251	30,00(1,181)	34,80(1,370)	32,66(1,286)
26	2139-2261	31,25(1,230)	36,05(1,419)	33,91(1,335)
27	2139-2271	32,50(1,280)	37,30(1,469)	35,16(1,384)
28	2139-2281	33,75(1,329)	38,55(1,518)	36,41(1,433)
29	2139-2291	35,00(1,378)	39,80(1,567)	37,66(1,483)
30	2139-2301	36,25(1,427)	41,05(1,616)	38,91(1,532)
31	2139-2311	37,50(1,476)	42,30(1,665)	40,16(1,581)
32	2139-2321	38,75(1,526)	43,55(1,715)	41,41(1,630)
33	2139-2331	40,00(1,575)	44,80(1,764)	42,66(1,680)
34	2139-2341	41,25(1,624)	46,05(1,813)	43,91(1,729)
35	2139-2351	42,50(1,673)	47,30(1,862)	45,16(1,778)
36	2139-2361	43,75(1,722)	48,55(1,911)	46,41(1,827)



RECOMMENDED HOLE PATTERN

