

0.50mm VERTICAL SMT ZIF CONNECTOR

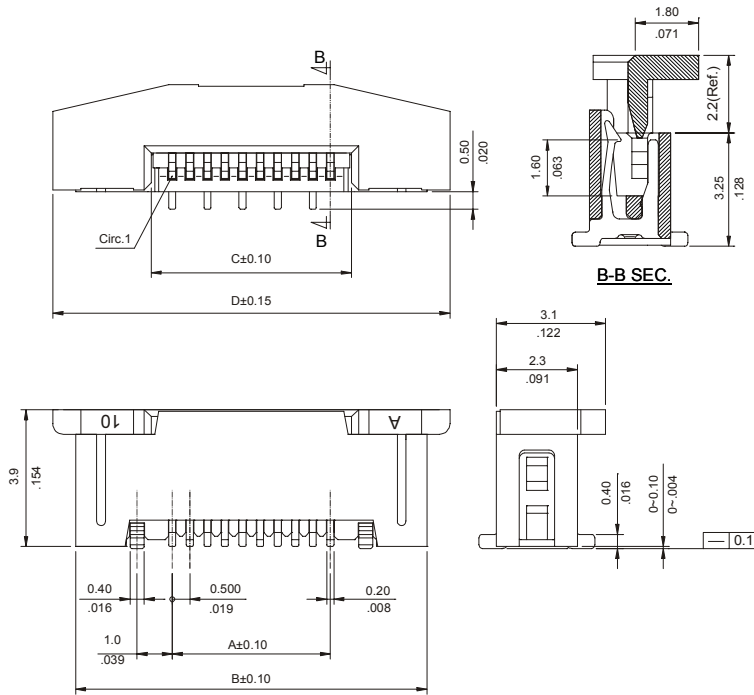


0514 SERIES. 0.50mm(0.020"). For PCB Solder

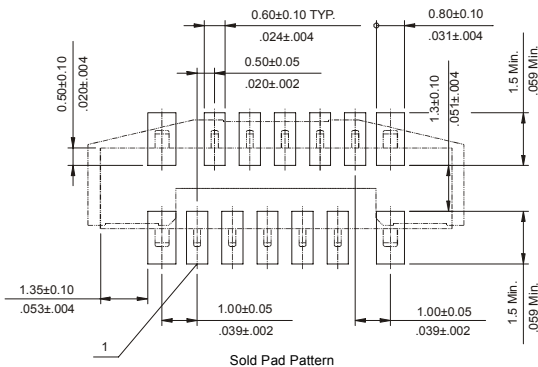
Features

- Available in 04 to 50 circuits
- Insulation: Nylon 46 with 40 GF UL 94V-0 colour nature
- Slider: Nylon 46 with 33 GF UL 94V-0 colour Black
- Actuator designed easy for FFC/FPC installation
- Contact Material: Tin plated over copper alloy
- With fixed metal tabs to secure connector in place
- Available in Tube or Reel packing

Dimensional Information



A = 0.50 x No. of Spaces
 B = A + 5.5
 C = A + 1.2
 D = A + 6.8
 * Available in 4 through 50 circuits



Ordering and Dimensional Information

0514 - 2- XX- E
 1 2 3 4

1. Series

2. (T) Finish Of Contacts

- Tin Plated available

3. (Xx) Circuit Size

- Available in 04 through 50 circuits

4. (E) Code Packing

- E = 1. Tube
- E = 2. Reel