

CRIMP TERMINAL

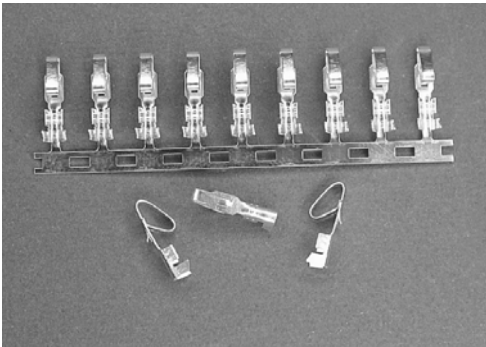
3979 SERIES Loose Piece and Reel Form

Features

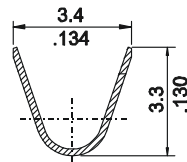
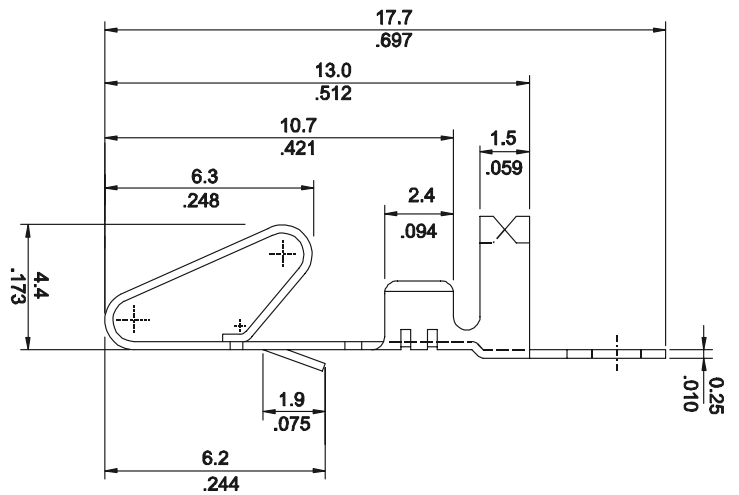
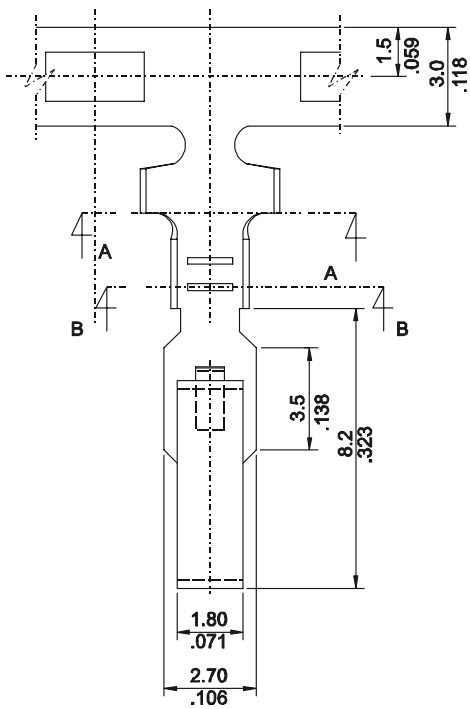
- Used in 3940, 3990, 5000, 5080 and 7500 Housings
- Accommodates Wire Range from AWG 18 to 26
- Material: Pre-Tinned Copper Alloy
- Mates with 1.14mm (.045") Square or Round Pin
- For other options Consult the Sales Office

Dimensional Information

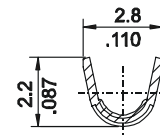
Ordering and Dimensional Information



Reel Quantity	Part Number	Material	Wire Ranges	Insulation Diameter
5,000 pcs. (Reel)	3979 - 2000	Pre-finned copper Alloy	AWG 18 - 26	2.48mm Max.
Loose Piece	3979 - 2001	Pre-finned copper Alloy	AWG 18 - 26	2.48mm Max.



SEC : A-A



SEC : B-B