

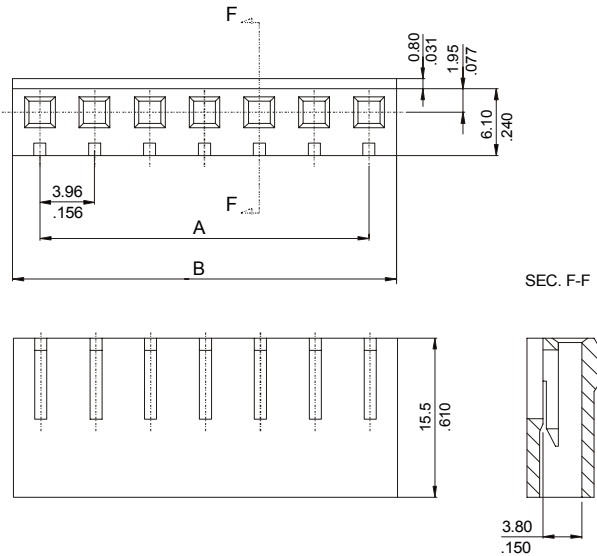
CRIMP HOUSING WITH LOCKING RAMP

3940-A SERIES 3.96mm (0.156") Pitch With Locking Ramp

Features

- Available in 2 through 20 Circuits
- Polarised with Locking Ramp
- Material: Nylon 6/6 UL 94V-0
- Accepts 3979, 3060, 3079 and 3032 Crimp Terminals
- Mates with: 3963, 3966, 3968, 3986, 3987 and 3988 Headers

Dimensional Information



Ordering and Dimensional Information

Circuit Size	Part Number	Dimensions	
		A	B
02	3940-2021	3,96(0,156)	8,50(0,335)
03	3940-2031	7,92(0,312)	12,50 (0,491)
04	3940-2041	11,88(0,468)	16,40 (0,647)
05	3940-2051	15,84(0,624)	20,40 (0,803)
06	3940-2061	19,80(0,780)	24,40 (0,959)
07	3940-2071	23,76(0,935)	28,30 (1,115)
08	3940-2081	27,72(1,091)	32,30 (1,271)
09	3940-2091	31,68(1,247)	36,20 (1,427)
10	3940-2101	35,64(1,403)	40,20 (1,583)
11	3940-2111	39,60(1,559)	44,20 (1,739)
12	3940-2121	43,56(1,715)	48,10 (1,894)
13	3940-2131	47,52(1,871)	52,10 (2,050)
14	3940-2141	51,48(2,027)	56,00 (2,206)
15	3940-2151	55,44(2,183)	60,00 (2,362)
16	3940-2161	59,40(2,339)	64,00 (2,518)
17	3940-2171	63,36(2,494)	67,90 (2,674)
18	3940-2181	67,32(2,650)	71,90 (2,830)
19	3940-2191	71,28(2,806)	75,80 (2,986)
20	3940-2201	75,24(2,962)	79,80 (3,142)

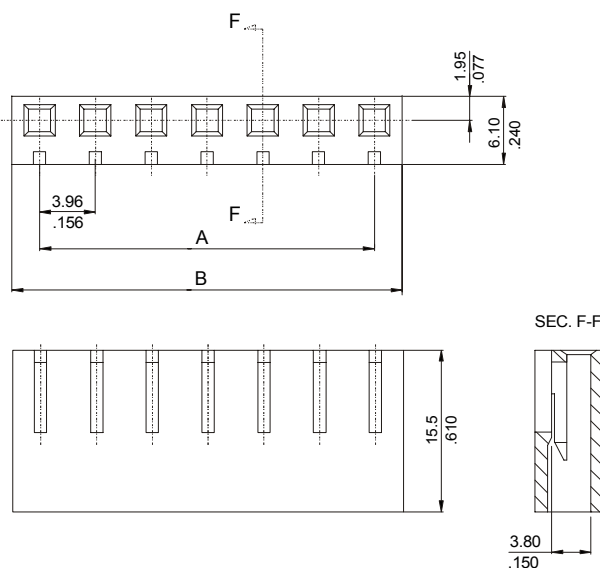
CRIMP HOUSING WITHOUT LOCKING RAMP

3940-B SERIES 3.96mm (0.156") Pitch Without Locking Ramp

Features

- Available in 2 through 20 Circuits
- Polarised without Locking Ramp
- Material: Nylon 6/6 UL 94V-0
- Accepts 3979, 3060, 3079 and 3032 Crimp Terminals
- Mates with: 3963, 3966, 3968, 3986, 3987 and 3988 Headers

Dimensional Information



Ordering and Dimensional Information

Circuit Size	Part Number	Dimensions	
		A	B
02	3940-3021	3,96(0,156)	8,50(0,335)
03	3940-3031	7,92(0,312)	12,50 (0,491)
04	3940-3041	11,88(0,468)	16,40 (0,647)
05	3940-3051	15,84(0,624)	20,40 (0,803)
06	3940-3061	19,80(0,780)	24,40 (0,959)
07	3940-3071	23,76(0,935)	28,30 (1,115)
08	3940-3081	27,72(1,091)	32,30 (1,271)
09	3940-3091	31,68(1,247)	36,20 (1,427)
10	3940-3101	35,64(1,403)	40,20 (1,583)
11	3940-3111	39,60(1,559)	44,20 (1,739)
12	3940-3121	43,56(1,715)	48,10 (1,894)
13	3940-3131	47,52(1,871)	52,10 (2,050)
14	3940-3141	51,48(2,027)	56,00 (2,206)
15	3940-3151	55,44(2,183)	60,00 (2,362)
16	3940-3161	59,40(2,339)	64,00 (2,518)
17	3940-3171	63,36(2,494)	67,90 (2,674)
18	3940-3181	67,32(2,650)	71,90 (2,830)
19	3940-3191	71,28(2,806)	75,80 (2,986)
20	3940-3201	75,24(2,962)	79,80 (3,142)