

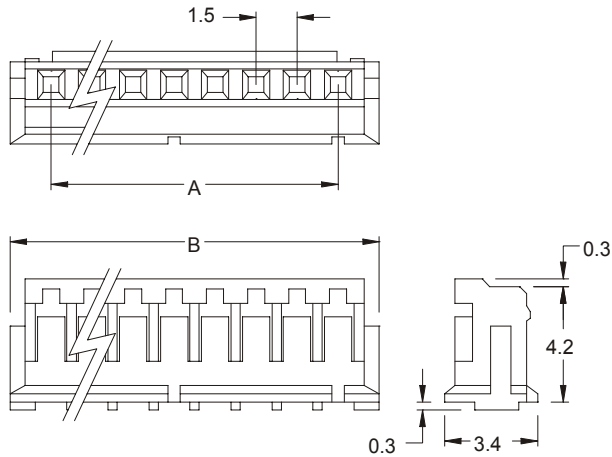
CRIMP TERMINAL HOUSING

1570 SERIE 1.50 mm (0.059"). With Locking Ramp

Features

- Available in 2 through 13 circuits
- Material: Nylon 6/6 UL 94V-0
- Mates with 1573 serie
- Mates with 1571, 1572, 1575, 1576 and 1577 serie
- Low profil

Dimensional Information



Ordering and Dimensional Information

| Circuit Size | Part Number | Dimensions | |
|--------------|------------------|--------------|--------------|
| | | A | B |
| 02 | 1570-2021 | 1,50(0,059) | 4,50(0,177) |
| 03 | 1570-2031 | 3,00(0,118) | 6,00(0,236) |
| 04 | 1570-2041 | 4,50(0,177) | 7,50(0,295) |
| 05 | 1570-2051 | 6,00(0,236) | 9,00(0,354) |
| 06 | 1570-2061 | 7,50(0,295) | 10,50(0,413) |
| 07 | 1570-2071 | 9,00(0,354) | 12,00(0,472) |
| 08 | 1570-2081 | 10,50(0,413) | 13,50(0,531) |
| 09 | 1570-2091 | 12,00(0,472) | 15,00(0,591) |
| 10 | 1570-2101 | 13,50(0,531) | 16,50(0,650) |
| 11 | 1570-2111 | 15,00(0,591) | 18,00(0,709) |
| 12 | 1570-2121 | 16,50(0,650) | 19,50(0,768) |
| 13 | 1570-2131 | 18,00(0,709) | 21,00(0,827) |

CRIMP TERMINAL MULTICONTACT

1573 SERIE. Side Carrier

Features

- Material : finned phosphor bronze
- Wire range: AWG 28-32
- Mates with 1570 serie
- Insulation diameter maximum: 1.00 mm.
- Terminal multicontact
- Side carrier

Dimensional Information

Ordering and Dimensional Information

| Type | Part Number | Material | Wire Ranges | Insulation Diameter |
|-------------|--------------------|-----------------|-------------|---------------------|
| REEL | 1573 - 2000 | Phosphor bronze | 28 - 32 AWG | 1.00 mm. Max. |
| LOOSE PIECE | 1573 - 2001 | Phosphor bronze | 28 - 32 AWG | 1.00 mm. Max. |

