

# 1.25 mm. (.049") STRAIGHT HEADER



## 1158 SERIES. 1.25 mm. (0.0492"). For PCB solder

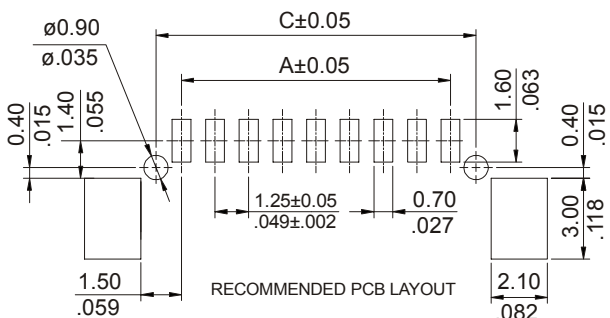
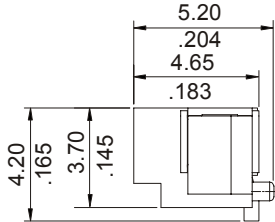
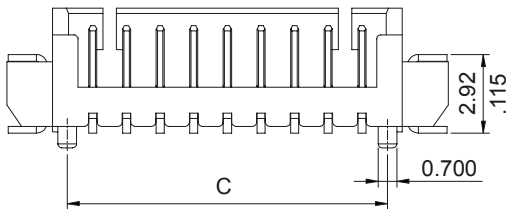
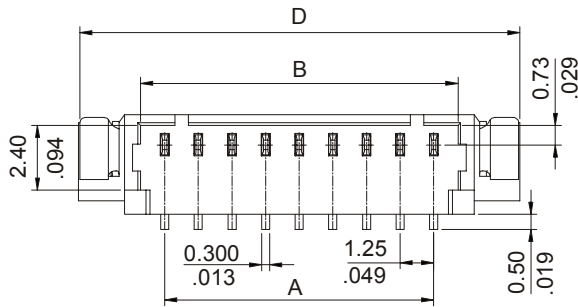
### Features

- Available in 2 through 15 circuits
- Material: High temperature plastic UL 94V-0
- Mates with 1154 serie
- 0.30 mm square pin
- With polarised slot

### Dimensional Information

### Ordering and Dimensional Information

Circuit Size	Part Number		Dimensions				W
	Without Pivots	With Pivots	A	B	C	D	
2	1158-2021E	1158-2022E	1.25(0,049)	3,05(0,120)	3.15 (0.124)	7.65 (0.301)	16.00 (0,630)
3	1158-2031E	1158-2032E	2,50(0,098)	4,30(0,169)	4.40 (0.173)	8.90 (0.350)	
4	1158-2041E	1158-2042E	3,75(0,148)	5,55(0,219)	5.65 (0.222)	10.15 (0.399)	24.00 (0,944)
5	1158-2051E	1158-2052E	5,00(0,197)	6,80(0,268)	6.90 (0.271)	11.40 (0.448)	
6	1158-2061E	1158-2062E	6,25(0,246)	8,05(0,317)	8.15 (0.320)	12.65 (0.498)	32.00 (1,260)
7	1158-2071E	1158-2072E	7,50(0,295)	9,30(0,366)	9.40 (0.370)	13.90 (0.547)	
8	1158-2081E	1158-2082E	8,75(0,344)	10,55(0,415)	10.65 (0.419)	15.15 (0.596)	44.00 (1,730)
9	1158-2091E	1158-2092E	10,00(0,394)	11,80(0,465)	11.90 (0.468)	16.40 (0.645)	
10	1158-2101E	1158-2102E	11,25(0,443)	13,05(0,514)	13.15 (0.517)	17.65 (0.694)	32.00 (1,260)
11	1158-2111E	1158-2112E	12,50(0,492)	14,30(0,563)	14.40 (0.566)	18.90 (0.744)	
12	1158-2121E	1158-2122E	13,75(0,541)	15,55(0,612)	15.65 (0.616)	20.15 (0.793)	44.00 (1,730)
13	1158-2131E	1158-2132E	15,00(0,591)	16,80(0,661)	16.90 (0.665)	21.40 (0.842)	
14	1158-2141E	1158-2142E	16,25(0,640)	18,05(0,711)	18.15 (0.714)	22.65 (0.891)	44.00 (1,730)
15	1158-2151E	1158-2152E	17,50(0,689)	19,30(0,760)	19.40 (0.763)	23.90 (0.940)	



### E = Connector packaging

- E = 1. Packaging with tube
- E = 2. Packaging with reel

