

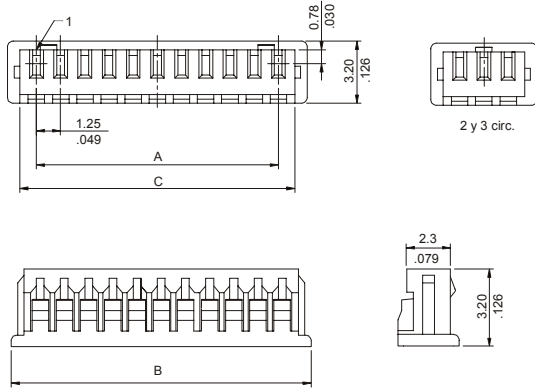
# CRIMP TERMINAL HOUSING

## 1154 SERIES. 1.25 mm. (0.0492"). With Locking Ramp

### Features

- Available in 2 through 15 circuits
- Material: PBT UL 94V-0
- With locking ramp molded
- Mates with 1155 serie
- Mates with 1156, 1157, 1158 and 1159 series
- Low profil

### Dimensional Information:



### Ordering and Dimensional Information:

Circuit Size	Part Number	Dimensions		
		A	B	C
2	<b>1154-2021</b>	1,25(0,049)	4,25(0,167)	2,95(0,116)
3	<b>1154-2031</b>	2,50(0,098)	5,50(0,217)	4,20(0,165)
4	<b>1154-2041</b>	3,75(0,148)	6,75(0,266)	5,45(0,215)
5	<b>1154-2051</b>	5,00(0,197)	8,00(0,315)	6,70(0,264)
6	<b>1154-2061</b>	6,25(0,246)	9,25(0,364)	7,95(0,313)
7	<b>1154-2071</b>	7,50(0,295)	10,50(0,413)	9,20(0,362)
8	<b>1154-2081</b>	8,75(0,344)	11,75(0,463)	10,45(0,411)
9	<b>1154-2091</b>	10,00(0,394)	13,00(0,512)	11,70(0,461)
10	<b>1154-2101</b>	11,25(0,443)	14,25(0,561)	12,95(0,510)
11	<b>1154-2111</b>	12,50(0,492)	15,50(0,610)	14,20(0,559)
12	<b>1154-2121</b>	13,75(0,541)	16,75(0,659)	15,45(0,608)
13	<b>1154-2131</b>	15,00(0,591)	18,00(0,709)	16,70(0,657)
14	<b>1154-2141</b>	16,25(0,640)	19,25(0,758)	17,95(0,707)
15	<b>1154-2151</b>	17,50(0,689)	20,50(0,807)	19,20(0,756)

# CRIMP TERMINAL

## 1155 SERIES. Side Carrier

### Features

- Material : tinned phosphor bronze
- Wire range: AWG 28 through 32
- Mates with 1154 serie
- Maximum insulation diameter: 0.80 mm.
- Maximum voltage: 150 V
- Maximum current: 1 A
- Contact resistance: 20 mΩ máx.
- Side carrier

### Dimensional information:

### Ordering and dimensional information:

Type	Part Number	Material	Wire Ranges	Insulation Diameter
REEL	<b>1155 - 2000</b>	Phosphor bronze	28 - 32 AWG	0.80 mm. máx.
LOOSE PIECE	<b>1155 - 2001</b>	Phosphor bronze	28 - 32AWG	0.80 mm. máx.