

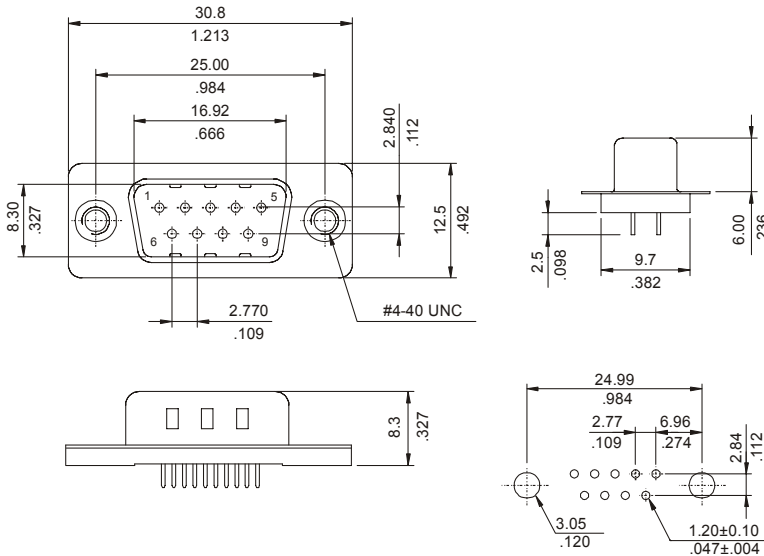
TOP ENTRY PCB MOUNT D-SUB PLUG

8130 SERIES PCB Solder Low profile

Features

- Available in 9 Circuits
- Insulator Material: Glass Filled Polyester UL 94V-0
- Contact Material: Brass
- Shell: Steel, Tin Plated as Standard
- Optional: 4-40 UNC Hexagonal Standoff or Clinch Nuts
- Other Options: Hoods, Mounting Screw and Accessories
- For other Options Consult the Sales Office

Dimensional Information



Ordering and Dimensional Information

8130 - T091

T = Contact Plating

- T = 3 Gold Flash over 50μ" Nickel
- T = 4 10μ" Gold over 50μ" Nickel
- T = 5 15μ" Gold over 50μ" Nickel
- T = 6 30μ" Gold over 50μ" Nickel

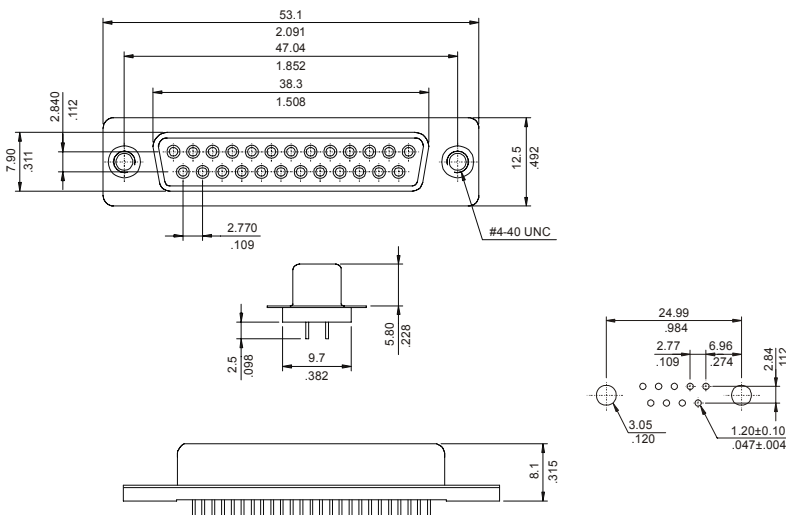
TOP ENTRY PCB MOUNT D-SUB RECEPTACLE

8131 SERIES PCB Solder Low profile

Features

- Available in 25 Circuits
- Insulator Material: Glass Filled Polyester UL 94V-0
- Contact Material: Phosphor Bronze
- Shell: Steel, Tin Plated as standard
- Optional: 4-40 UNC Hexagonal Standoff or Clinch Nuts
- Other Options: Hoods, Mounting Screw and Accessories
- For other Options Consult the Sales Office

Dimensional Information



Ordering and Dimensional Information

8131 - T251

T = Contact Plating

- T = 3 Gold Flash over 50μ" Nickel
- T = 4 10μ" Gold over 50μ" Nickel
- T = 5 15μ" Gold over 50μ" Nickel
- T = 6 30μ" Gold over 50μ" Nickel