

# 45 DEGREE PCB JACK



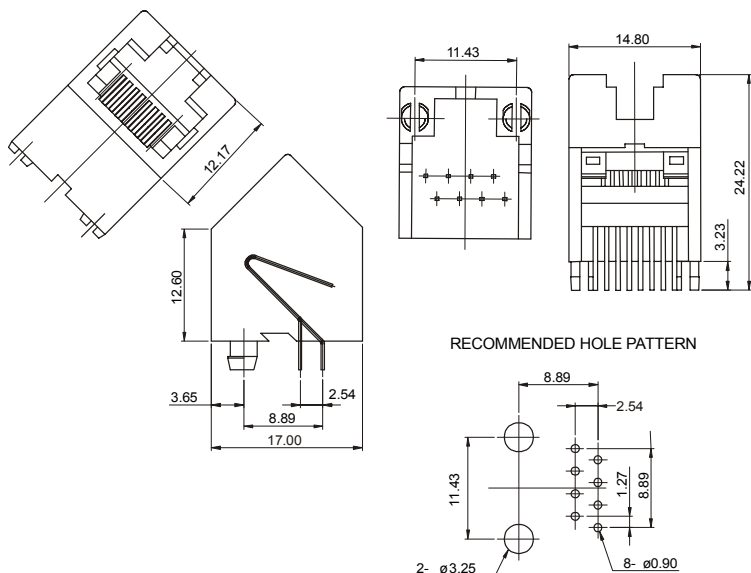
## 7645 SERIES For PCB Solder. PCB Jack

### Features

- Available in 8/8 circuits
- Mates with FCC-68 modular plugs
- Insulator Material: Glass filled polyester 6/6 UL 94V-0
- Contacts: Golden phosphor bronze 0.35mm thickness
- Gold plating over nickel in Contact Area.
- Tin plating over nickel in Solder Area

### Dimensional Information

### Ordering and Dimensional Information



**7645 - T881**

### T = Contact Plating

- T = 4. 6μ" gold over 50μ" nickel
- T = 5. 15μ" gold over 50μ" nickel
- T = 6. 30μ" gold over 50μ" nickel
- T = 7. 50μ" gold over 50μ" nickel

# 45 DEGREE SHIELDED PCB JACK



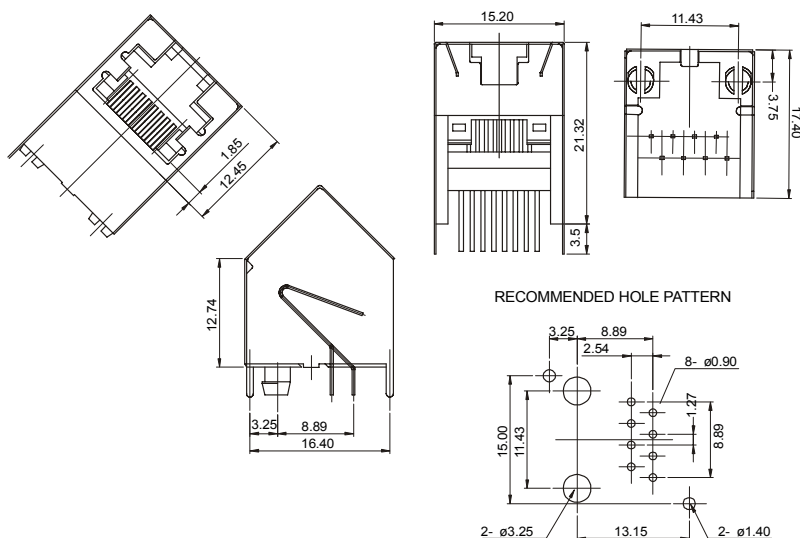
## 7646 SERIES For PCB Solder. Shielded PCB Jack

### Features

- Available in 8/8 circuits
- Mates with FCC-68 modular plugs
- Insulator Material: Glass filled polyester 6/6 UL 94V-0
- Contacts: Golden phosphor bronze 0.35mm thickness
- Gold plating over nickel in Contact Area.
- Tin plating over nickel in Solder Area
- Shielded: Bronze with nickel plated

### Dimensional Information

### Ordering and Dimensional Information



**7646 - T881**

### T = Contact Plating

- T = 4. 6μ" gold over 50μ" nickel
- T = 5. 15μ" gold over 50μ" nickel
- T = 6. 30μ" gold over 50μ" nickel
- T = 7. 50μ" gold over 50μ" nickel