

# 3.00mm MICRO POWER STRAIGHT HEADER

## 5767. SERIES. 3.00mm(0.118"). For High Current / High Density

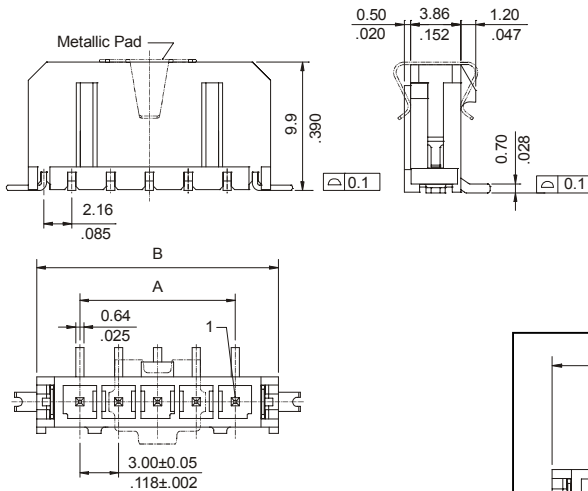
### Features

- Available in 2 a 12 circuits in single row
- Material: Nylon 9T UL 94V-0
- Contact Material: Brass with different plating options
- Mates with 5750 series housing
- Positive lock . Current Rating: 5 A max.
- Available with or without Metal board lock

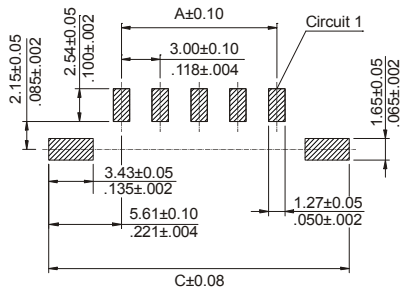
### Dimensional Information

### Ordering and Dimensional Information

Circuit Size	Part Number		Dimensions			
	W/O Board Lock	With Board Lock	A	B	C	D
2	5768 - T021E	5768 - T022E	3.00 (.118)	9.65 (.380)	14.20 (.559)	7.30 (.287)
3	5768 - T031E	5768 - T032E	6.00 (.236)	12.65 (.498)	17.20 (.677)	10.30 (.406)
4	5768 - T041E	5768 - T042E	9.00 (.354)	15.65 (.616)	20.20 (.795)	13.30 (.524)
5	5768 - T051E	5768 - T052E	12.00 (.472)	18.65 (.734)	23.20 (.913)	16.30 (.642)
6	5768 - T061E	5768 - T062E	15.00 (.591)	21.65 (.852)	26.20 (1.031)	19.30 (.760)
7	5768 - T071E	5768 - T072E	18.00 (.709)	24.65 (.970)	29.20 (1.150)	22.30 (.878)
8	5768 - T081E	5768 - T082E	21.00 (.827)	27.65 (1.088)	32.20 (1.268)	25.30 (.996)
9	5768 - T091E	5768 - T092E	24.00 (.945)	30.65 (1.206)	35.20 (1.386)	28.30 (1.114)
10	5768 - T101E	5768 - T102E	27.00 (1.063)	33.65 (1.325)	38.20 (1.504)	31.30 (1.232)
11	5768 - T111E	5768 - T112E	30.00 (1.181)	36.65 (1.442)	41.20 (1.622)	34.30 (1.350)
12	5768 - T121E	5768 - T122E	33.00 (1.299)	39.65 (1.561)	44.20 (1.740)	37.30 (1.469)



RECOMMENDED PCB LAYOUT



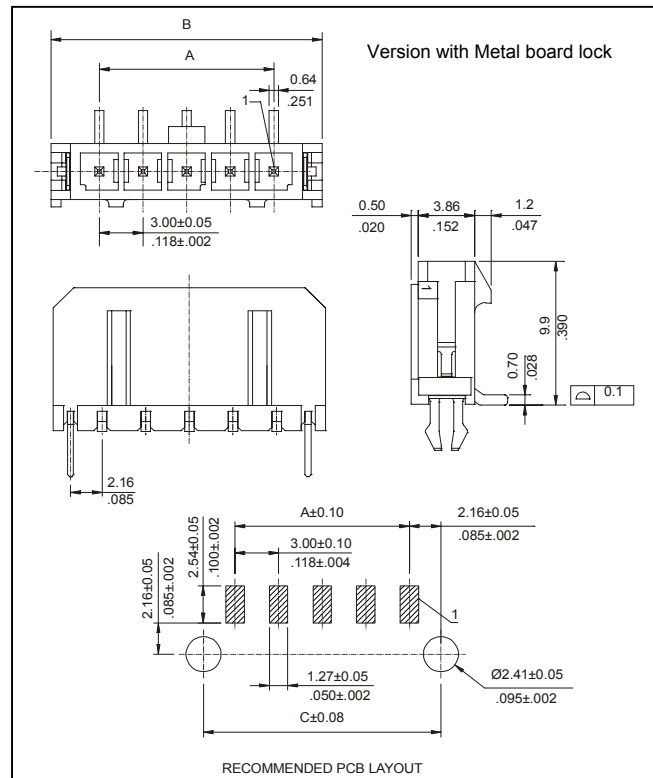
Version without Metal board lock

### T = Contact Plating

- T = 2. Tin plated  
Recommended Finish
- T = 3. Gold flash over 50µ" nickel.
- T = 5. 15µ" gold over 50µ" nickel
- T = 6. 30µ" gold over 50µ" nickel

### E = Packing Options

- E = 5. Tube + Metallic Pad
- E = 6. Reel + Metallic Pad



RECOMMENDED PCB LAYOUT