

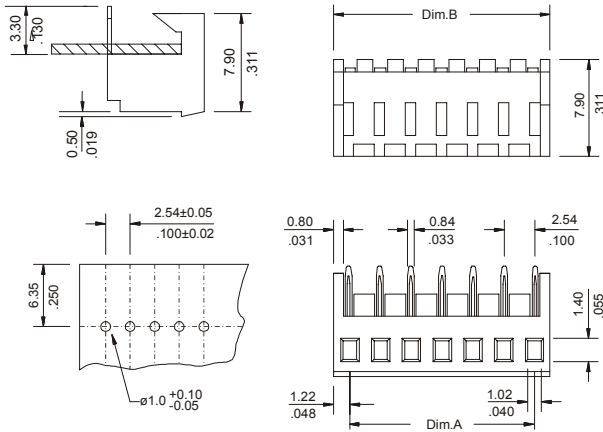
# RIGHT ANGLE SINGLE ROW PCB SOCKET

## 2526 SERIES 2.54mm (0.100") For PCB Solder

### Features

- Available in 2 through 20 circuits
- Mates with 2.54mm single row headers
- Insulation Material: Nylon 6/6 UL 94V-0
- Contact Material: Tin plated solder tail terminal
- Accepts 0.64mm(0.025") square pin
- With P.C. Board standoff

### Dimensional Information



### Ordering and Dimensional Information

Circuit Size	Part Number	Dimensions	
		A	B
02	<b>2526-2021</b>	2.54(0.100)	5.10 (0.201)
03	<b>2526-2031</b>	5.08(0.200)	7.60 (0.299)
04	<b>2526-2041</b>	7.62(0.300)	10.20 (0.402)
05	<b>2526-2051</b>	10.16(0.400)	12.70 (0.500)
06	<b>2526-2061</b>	12.70(0.500)	15.20 (0.598)
07	<b>2526-2071</b>	15.24(0.600)	17.80 (0.701)
08	<b>2526-2081</b>	17.78(0.700)	20.30 (0.799)
09	<b>2526-2091</b>	20.32(0.800)	22.90 (0.902)
10	<b>2526-2101</b>	22.86(0.900)	25.40 (1.000)
11	<b>2526-2111</b>	25.40(1.000)	27.90 (1.098)
12	<b>2526-2121</b>	27.94(1.100)	30.50 (1.201)
13	<b>2526-2131</b>	30.48(1.200)	33.00 (1.299)
14	<b>2526-2141</b>	33.02(1.300)	35.60 (1.402)
15	<b>2526-2151</b>	35.56(1.400)	38.10 (1.500)
16	<b>2526-2161</b>	38.10(1.500)	40.60 (1.598)
17	<b>2526-2171</b>	40.64(1.600)	43.20 (1.701)
18	<b>2526-2181</b>	43.18(1.700)	45.70 (1.799)
19	<b>2526-2191</b>	45.72(1.800)	48.30 (1.902)
20	<b>2526-2201</b>	48.26(1.900)	50.80 (2.000)