

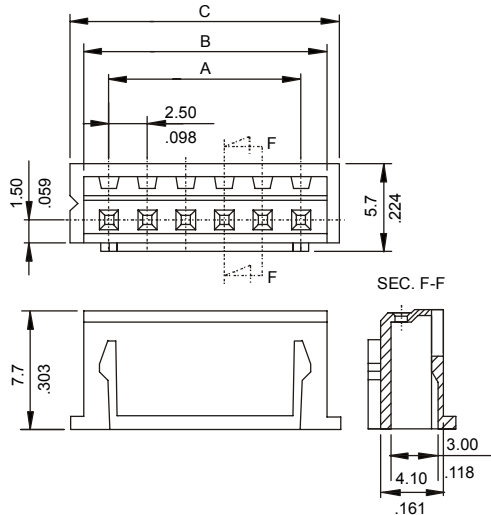
CRIMP TERMINAL HOUSING

2520 SERIES 2.50mm (0.098") Housing

Features

- Available in 2 through 20 circuits
- Polarised with locking ribs
- Material: Nylon 6/6 UL 94V-0
- Accepts 2523 series terminal
- Mates with 2.50mm(0.025") pitch single row headers 2521 and 2522 series

Dimensional Information



Ordering and Dimensional Information

Circuit Size	Part Number	Dimensions		
		A	B	C
02	2520-2021	2,50(0,098)	5,80(0,228)	7,50(0,295)
03	2520-2031	5,00(0,197)	8,30(0,327)	10,00(0,394)
04	2520-2041	7,50(0,295)	10,80(0,425)	12,50(0,492)
05	2520-2051	10,00(0,394)	13,30(0,524)	15,00(0,591)
06	2520-2061	12,50(0,492)	15,80(0,622)	17,50(0,689)
07	2520-2071	15,00(0,591)	18,30(0,720)	20,00(0,787)
08	2520-2081	17,50(0,689)	20,80(0,819)	22,50(0,886)
09	2520-2091	20,00(0,787)	23,30(0,917)	25,00(0,984)
10	2520-2101	22,50(0,886)	25,80(1,016)	27,50(1,083)
11	2520-2111	25,00(0,984)	28,30(1,114)	30,00(1,181)
12	2520-2121	27,50(1,083)	30,80(1,213)	32,50(1,280)
13	2520-2131	30,00(1,181)	33,30(1,311)	35,00(1,378)
14	2520-2141	32,50(1,280)	35,80(1,409)	37,50(1,476)
15	2520-2151	35,00(1,378)	38,30(1,508)	40,00(1,575)
16	2520-2161	37,50(1,476)	40,80(1,606)	42,50(1,673)
17	2520-2171	40,00(1,575)	43,30(1,705)	45,00(1,772)
18	2520-2181	42,50(1,673)	45,80(1,803)	47,50(1,870)
19	2520-2191	45,00(1,772)	48,30(1,902)	50,00(1,969)
20	2520-2201	47,50(1,870)	50,80(2,000)	52,50(2,067)

CRIMP TERMINAL

2523 SERIES 2.50mm (0.098") Crimp Terminal

Features

- Accommodates wire ranges AWG 22-28
- Material: Pre-finned copper alloy
- Mates with 0.64mm(0.025") square pin
- Dual beam contacts
- Mates with 2520 series socket
- Insulation Diameter: 1.90mm(0.075") max.

Dimensional Information

Ordering and Dimensional Information

Reel Quantity	Part Number	Material	Wire Ranges	Insulation Diameter
8,000 (Reel)	2523 - 2000	Copper alloy	AWG 22-26	1.90 (0.075) Max.
Loose Piece	2523 - 2001	Copper alloy	AWG 22-26	1.90 (0.075) Max.

