

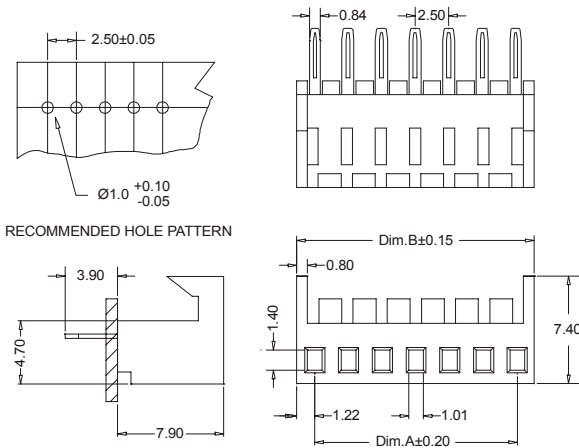
# FEMALE STRAIGHT PCB SOCKET

## 2496 SERIES 2.50mm (0.098") For PCB solder

### Features

- Available in 2 through 25 circuits
- Mates with 2516, 2517, 2503 and 2504 serie
- Material : nylon 6/6 UL 94V-0
- 0.64 mm square pin
- Tin plating terminal

### Dimensional information:



### Ordering and dimensional information:

Circuit Size	Part Number	Dimensions	
		A	B
02	<b>2496-2021</b>	2,50(0,098)	5,00(0,197)
03	<b>2496-2031</b>	5,00(0,197)	7,50(0,295)
04	<b>2496-2041</b>	7,50(0,295)	10,00(0,394)
05	<b>2496-2051</b>	10,00(0,394)	12,50(0,492)
06	<b>2496-2061</b>	12,50(0,492)	15,00(0,591)
07	<b>2496-2071</b>	15,00(0,591)	17,50(0,689)
08	<b>2496-2081</b>	17,50(0,689)	20,00(0,787)
09	<b>2496-2091</b>	20,00(0,787)	22,50(0,886)
10	<b>2496-2101</b>	22,50(0,886)	25,00(0,984)
11	<b>2496-2111</b>	25,00(0,984)	27,50(1,083)
12	<b>2496-2121</b>	27,50(1,083)	30,00(1,181)
13	<b>2496-2131</b>	30,00(1,181)	32,50(1,280)
14	<b>2496-2141</b>	32,50(1,280)	35,00(1,378)
15	<b>2496-2151</b>	35,00(1,378)	37,50(1,476)
16	<b>2496-2161</b>	37,50(1,476)	40,00(1,575)
17	<b>2496-2171</b>	40,00(1,575)	42,50(1,673)
18	<b>2496-2181</b>	42,50(1,673)	45,00(1,772)
19	<b>2496-2191</b>	45,00(1,772)	47,50(1,870)
20	<b>2496-2201</b>	47,50(1,870)	50,00(1,969)
21	<b>2496-2211</b>	50,00(1,969)	52,50(2,067)
22	<b>2496-2221</b>	52,50(2,067)	55,00(2,165)
23	<b>2496-2231</b>	55,00(2,165)	57,50(2,264)
24	<b>2496-2241</b>	57,50(2,264)	60,00(2,362)
25	<b>2496-2251</b>	60,00(2,362)	62,50(2,461)