

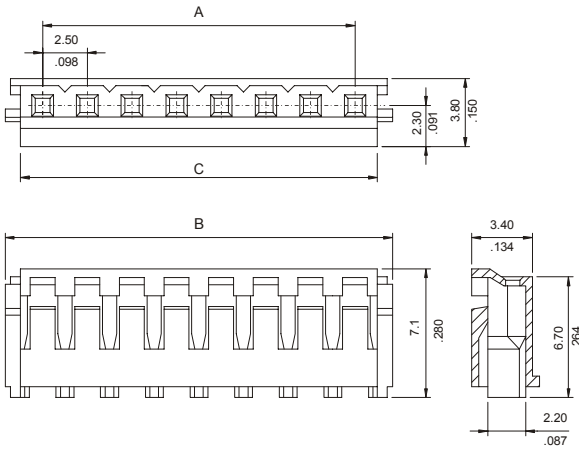
# CRIMP TYPE LATCH SOCKET

## 2420 SERIES 2.50mm (0.098"). Socket

### Features

- Available in 2 through 15 circuits
- Mates with 2421 and 2422 headers
- Material: Nylon 6/6 UL94V-0
- Accepts 2453 series crimp terminals
- Polarised with locking ribs
- Low profile

### Dimensional Information



### Ordering and Dimensional Information

Circuit Size	Part Number	Dimensions		
		A	B	C
02	<b>2420-2021</b>	2,50(0,098)	7,00 (0,276)	5,30 (0,209)
03	<b>2420-2031</b>	5,00(0,197)	9,50 (0,374)	7,80 (0,307)
04	<b>2420-2041</b>	7,50(0,295)	12,00 (0,472)	10,30 (0,406)
05	<b>2420-2051</b>	10,00(0,394)	14,50 (0,571)	12,80 (0,504)
06	<b>2420-2061</b>	12,50(0,492)	17,00 (0,669)	15,30 (0,602)
07	<b>2420-2071</b>	15,00(0,591)	19,50 (0,768)	17,80 (0,701)
08	<b>2420-2081</b>	17,50(0,689)	22,00 (0,866)	20,30 (0,799)
09	<b>2420-2091</b>	20,00(0,787)	24,50 (0,965)	22,80 (0,898)
10	<b>2420-2101</b>	22,50(0,886)	27,00 (1,063)	25,30 (0,996)
11	<b>2420-2111</b>	25,00(0,984)	29,50 (1,161)	27,80 (1,094)
12	<b>2420-2121</b>	27,50(1,083)	32,00 (1,260)	30,30 (1,193)
13	<b>2420-2131</b>	30,00(1,181)	34,50 (1,358)	32,80 (1,291)
14	<b>2420-2141</b>	32,50(1,280)	37,00 (1,457)	35,30 (1,390)
15	<b>2420-2151</b>	35,00(1,378)	39,50 (1,555)	37,80 (1,488)

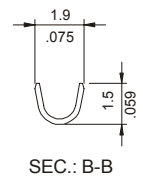
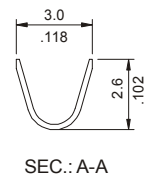
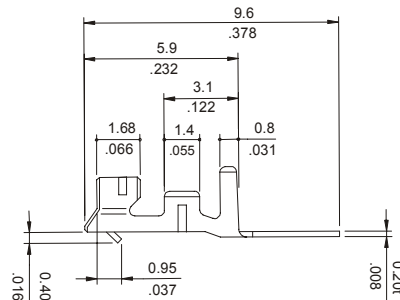
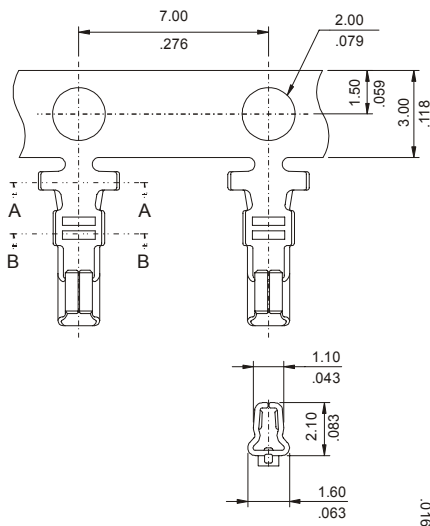
# CRIMP TERMINAL

## 2453 SERIES 2.50mm Crimp Terminal

### Features

- Used in 2420 series socket
- Accommodates wire ranges AWG 22-24
- Material: Phosphor bronze
- Mates with 0.64mm(0.025") round or square pin
- Plating: Tin plated
- Insulation Diameter: 1.60mm(0.063") Maximum

### Dimensional Information



### Ordering and Dimensional Information

Reel Quantity	Part Number	Material	Wire Ranges	Insulation Diameter
5,000 Pcs (Reel)	<b>2453- 2000</b>	Phosphor bronze	AWG 22 – 24	1.60 (0.063) Max.
Loose Piece	<b>2453 - 2001</b>	Phosphor bronze	AWG 22 – 24	1.60 (0.063) Max.