

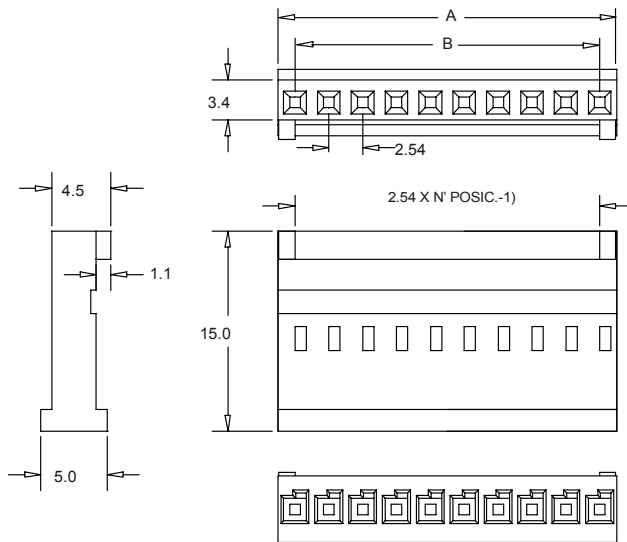
SINGLE ROW CRIMP HOUSING

2349 SERIES 2.54mm (0.100") With Locking Ramp.

Features

- Available in 2 through 20 circuits
- Housing Material: PBT, UL 94V-0
- Polarised with locking ramp
- Accepts 2351 series crimp terminal
- Mates with 2345, 2346 series connectors and single row Headers without polarisation pitch 2.54mm

Dimensional Information



Ordering and Dimensional Information

		Dimensions	
		B	
02	2349-2021	5,08(0,200)	2,54(0,100)
03	2349-2031	7,62(0,300)	5,08(0,200)
04	2349-2041	10,16(0,400)	7,62(0,300)
05	2349-2051	12,70(0,500)	10,16(0,400)
06	2349-2061	15,24(0,600)	12,70(0,500)
07	2349-2071	17,78(0,700)	15,24(0,600)
08	2349-2081	20,32(0,800)	17,78(0,700)
09	2349-2091	22,86(0,900)	20,32(0,800)
10	2349-2101	25,40(1,000)	22,86(0,900)
11	2349-2111	27,94(1,100)	25,40(1,000)
12	2349-2121	30,48(1,200)	27,94(1,100)
13	2349-2131	33,02(1,300)	30,48(1,200)
14	2349-2141	35,56(1,400)	33,02(1,300)
15	2349-2151	38,10(1,500)	35,56(1,400)
16	2349-2161	40,64(1,600)	38,10(1,500)
17	2349-2171	43,18(1,700)	40,64(1,600)
18	2349-2181	45,72(1,800)	43,18(1,700)
19	2349-2191	48,26(1,900)	45,72(1,800)
20	2349-2201	50,80(2,000)	48,26(1,900)

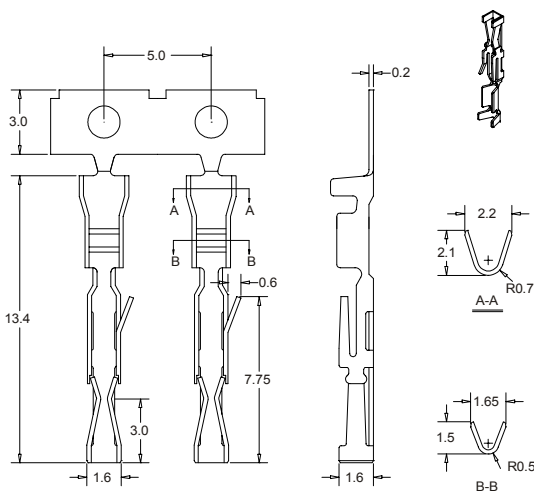
MULTI CONTACT CRIMP TERMINAL

2351 SERIES Lateral Latch

Features

- Multicontact
- Wire Range: 24 - 28 AWG
- Can be used in 2349 and 2350 housing
- Mates with 0.64mm(.025") square pin
- Material: Phosphor Bronze with different plating options

Dimensional Information



Ordering and Dimensional Information

Type	Part Number	Material	Wire Ranges	Insulation Diam.
Reel	2351-T000	Phosphor Bronze	24 - 28 AWG	1.50 Max.
Loose	2351-T001	Phosphor Bronze	24 - 28 AWG	1.50 Max.

T = Contact Plating

- T = 2. Tin plated
- T = 3. Gold flash over 50µ" nickel
Recommended Finish
- T = 5. 15µ" gold over 50µ" nickel
- T = 6. 30µ" gold over 50µ" nickel