

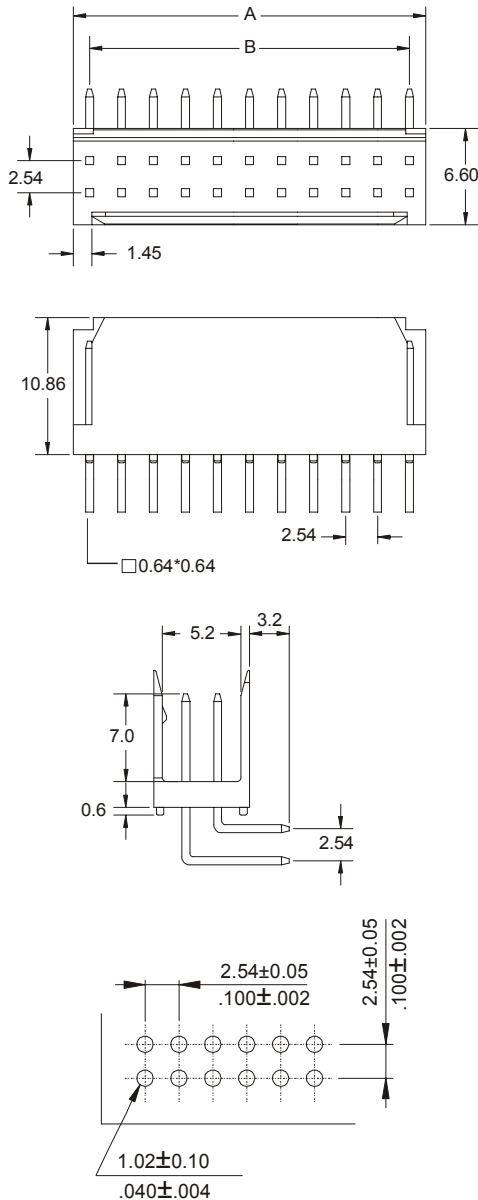
# DUAL ROW RIGHT ANGLE BOX HEADER

## 2348 SERIES 2.54mm (0.100") For PCB Solder open ended

### Features

- Available in 4 through 40 circuits
- Contact Material: 0.64mm(.025") square pin in Brass
- Housing Material: PBT, UL 94V-0
- Polarised with locking ramp

### Dimensional Information



RECOMMENDED HOLE PATTERN

### Dimensional and Ordering Information

Circuit Size	Part Number	Dimensions	
		A	B
04	<b>2348-T041</b>	5,08(0,200)	2,54(0,100)
06	<b>2348-T061</b>	7,62(0,300)	5,08(0,200)
08	<b>2348-T081</b>	10,16(0,400)	7,62(0,300)
10	<b>2348-T101</b>	12,70(0,500)	10,16(0,400)
12	<b>2348-T121</b>	15,24(0,600)	12,70(0,500)
14	<b>2348-T141</b>	17,78(0,700)	15,24(0,600)
16	<b>2348-T161</b>	20,32(0,800)	17,78(0,700)
18	<b>2348-T181</b>	22,86(0,900)	20,32(0,800)
20	<b>2348-T201</b>	25,40(1,000)	22,86(0,900)
22	<b>2348-T221</b>	27,94(1,100)	25,40(1,000)
24	<b>2348-T241</b>	30,48(1,200)	27,94(1,100)
26	<b>2348-T261</b>	33,02(1,300)	30,48(1,200)
28	<b>2348-T281</b>	35,56(1,400)	33,02(1,300)
30	<b>2348-T301</b>	38,10(1,500)	35,56(1,400)
32	<b>2348-T321</b>	40,64(1,600)	38,10(1,500)
34	<b>2348-T341</b>	43,18(1,700)	40,64(1,600)
36	<b>2348-T361</b>	45,72(1,800)	43,18(1,700)
38	<b>2348-T381</b>	48,26(1,900)	45,72(1,800)
40	<b>2348-T401</b>	50,80(2,000)	48,26(1,900)

### T = Plating Options

- T = 2. Tin Plated.  
Recommended Finish
- T = 3. Gold flash over 30-50µ" nickel overall
- T = 5. 15µ" gold over 30-50µ" nickel overall
- T = 6. 30µ" gold over 30-50µ" nickel overall