

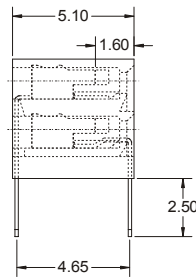
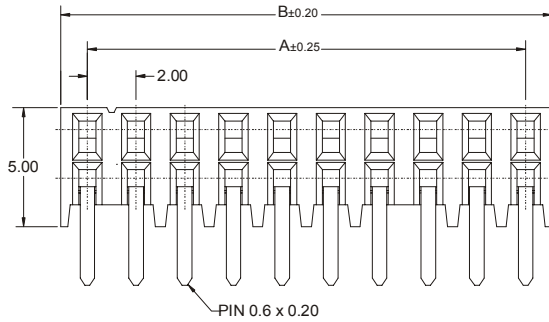
DUAL ROW PCB SOCKET SIDE ENTRY

2173 SERIES 2.00mm (0.079") Board to Board PCB Solder

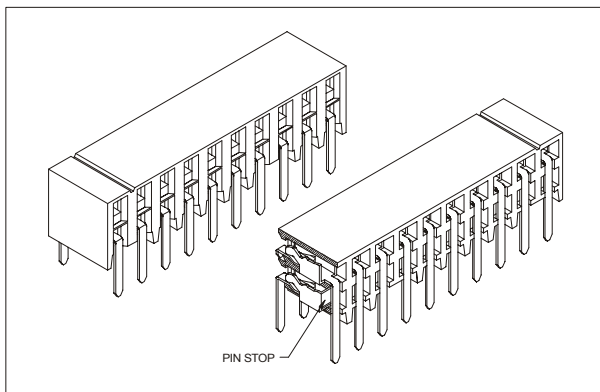
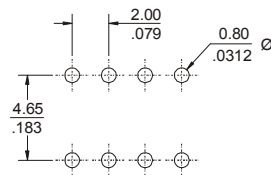
Features

- Available in 6 through 50 circuits
- Insulator Material: Nylon 6-T UL 94V-0
- Mates with 2.00mm pitch and 0.50mm pin headers
- Different plating options are available
- High quality dual beam phosphor bronze contacts
- With polarisation

Dimensional Information



MECANIZADO RECOMENDADO



Ordering and Dimensional Information

Circuit Size	Part Number	Dimensions	
		A	B
06	2173 - T061	4,00(0,157)	6,20(0,244)
08	2173- T081	6,00(0,236)	8,20(0,323)
10	2173- T101	8,00(0,315)	10,20(0,402)
12	2173- T121	10,00(0,394)	12,20(0,480)
14	2173- T141	12,00(0,472)	14,20(0,559)
16	2173- T161	14,00(0,551)	16,20(0,638)
18	2173- T181	16,00(0,630)	18,20(0,717)
20	2173- T201	18,00(0,709)	20,20(0,795)
22	2173- T221	20,00(0,787)	22,20(0,874)
24	2173- T241	22,00(0,866)	24,20(0,953)
26	2173- T261	24,00(0,945)	26,20(1,031)
28	2173- T281	26,00(1,024)	28,20(1,110)
30	2173- T301	28,00(1,102)	30,20(1,189)
32	2173- T321	30,00(1,181)	32,20(1,268)
34	2173- T341	32,00(1,260)	34,20(1,346)
36	2173- T361	34,00(1,339)	36,20(1,425)
38	2173- T381	36,00(1,417)	38,20(1,504)
40	2173- T401	38,00(1,496)	40,20(1,583)
42	2173- T421	40,00(1,575)	42,20(1,661)
44	2173- T441	42,00(1,654)	44,20(1,740)
46	2173- T461	44,00(1,732)	46,20(1,819)
48	2173- T481	46,00(1,811)	48,20(1,898)
50	2173- T501	48,00(1,890)	50,20(1,976)

T = Contact Plating

- T = 2. Tin plated
- T = 3. Gold flash over 50µ" nickel
Recommended Finish
- T = 5. 15µ" gold over 50µ" nickel
- T = 6. 30µ" gold over 50µ" nickel