

TERMINAL FOR 6740 HOUSING

6743 & 6744 SERIES. 4.20 (.165") Diameter Crimp Terminal.

Features

- Lateral Carrier
- Material: Tin-plated brass
- Current Rating: 9 A maximum
- Contact Resistance: 10 milliohms.
- Wire Ranges: AWG 18 - 22
- Insertion force: 0.7 Kgs.
- Pin disconnection force: 0. 5 Kgs.

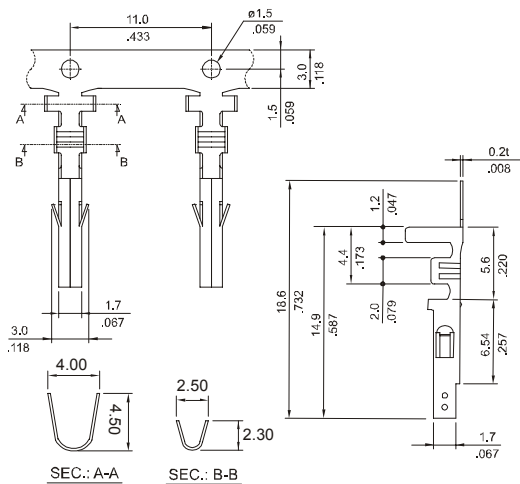
Dimensional Information

Ordering and Dimensional Information

Type	Part Number	Material	Wire Ranges	Reel Quantity
Male	6743 - 2000	Brass, Tin Plated	AWG 18 - 22	4,000 Pcs (Reel)
Male	6743 - 2001	Brass, Tin Plated	AWG 18 - 22	Loose Piece
Female	6744 - 2000	Brass, Tin Plated	AWG 18 - 22	4,000 Pcs (Reel)
Female	6744 - 2001	Brass, Tin Plated	AWG 18 - 22	Loose Piece
Male	6743 - 2010*(1)	Phosphor Bronze	AWG 18 - 22	4,000 Pcs (Reel)
Male	6743 - 2011	Phosphor Bronze	AWG 18 - 22	Loose Piece
Female	6744 - 2010*(2)	Phosphor Bronze	AWG 18 - 22	4,000 Pcs (Reel)
Female	6744 - 2011	Phosphor Bronze	AWG 18 - 22	Loose Piece

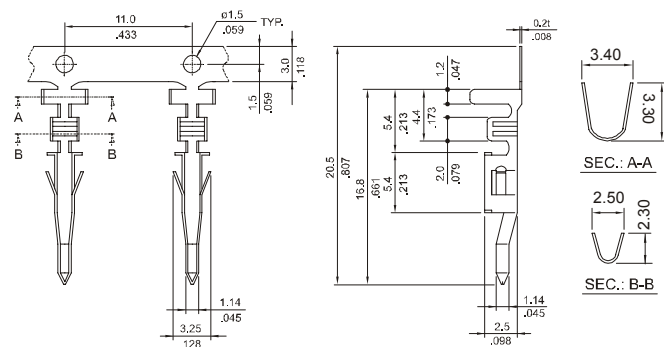
(1) Available in gold flash plating. Part Number: **6743 - 3010**
 (2) Available in gold flash plating. Part Number: **6744 - 3010**

Female Terminal



For Female connectors series: 6739 y 6740

Male Terminal



For Male connector series: 6739 y 6740