

4.20mm MINI POWER RECEPTACLE

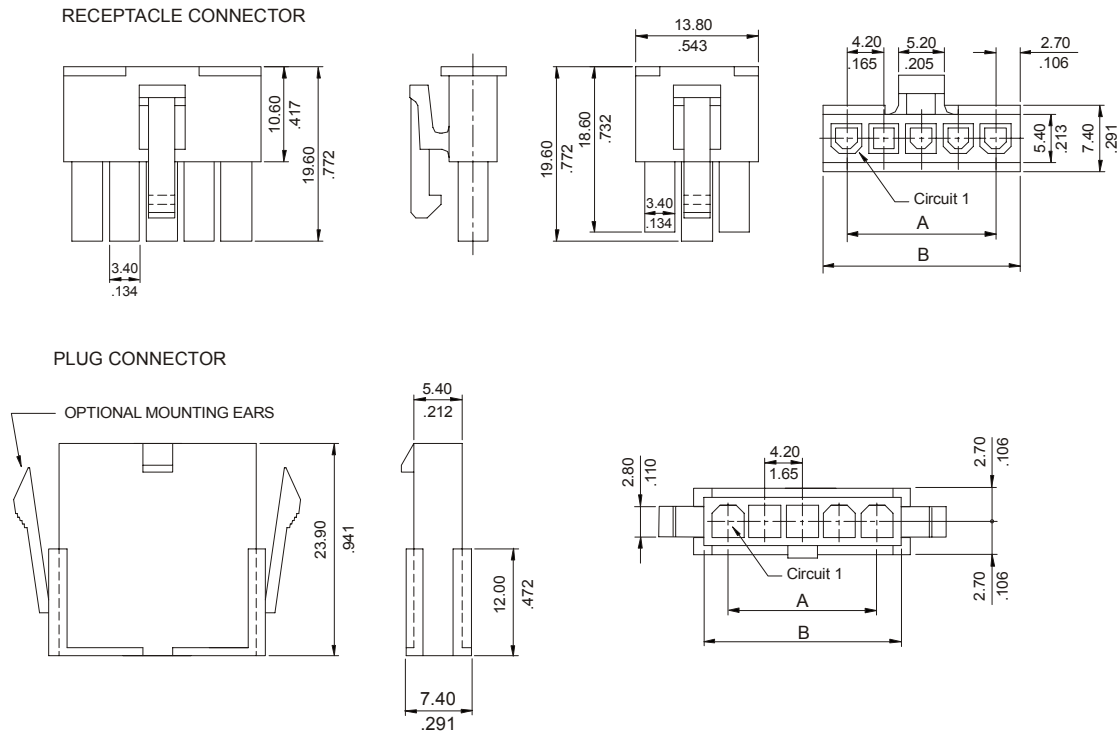
6739 SERIES. For High Current / High Density

Features

- Available in 2 through 12 circuits
- Positive housing lock for secure mating retention
- Material: nylon UL 94 V-2 or UL 94 V-0
- For free hanging or panel mounted
- Mates with 6741, 6742, 6743, 6744, 6746 and 6747 crimp terminals
- 4.20mm. centre spacing wire to wire connector
- Single row crimp plug

Dimensional Information

Ordering and Dimensional Information



RECEPTACLE

Circuit Size	Current Rating Amps	Voltage	Part Number		Dimensions		
			UL 92V-2	UL 92V-0	A	B	C
2	5	250	6739 - 1021	6739 - 1022	4,20(0,165)	9,60(0,378)	-
3	5	250	6739 - 1031	6739 - 1032	8,40(0,331)	13,80(0,543)	-
4	5	250	6739 - 1041	6739 - 1042	12,60(0,496)	18,00(0,709)	-
5	5	250	6739 - 1051	6739 - 1052	16,80(0,661)	22,20(0,874)	-
6	5	250	6739 - 1061	6739 - 1062	21,00(0,827)	26,40(1,039)	-
7	5	250	6739 - 1071	6739 - 1072	25,20(0,992)	30,60(1,205)	-
8	5	250	6739 - 1081	6739 - 1082	29,40(1,157)	34,80(1,370)	-
9	5	250	6739 - 1091	6739 - 1092	33,60(1,323)	39,00(1,535)	-
10	5	250	6739 - 1101	6739 - 1102	37,80(1,488)	43,20(1,701)	-
11	5	250	6739 - 1111	6739 - 1112	42,00(1,654)	47,40(1,866)	-
12	5	250	6739 - 1121	6739 - 1122	46,20(1,819)	51,60(2,031)	-

PLUG Version Without Ears

Circuit Size	Part Number				Dimensions		
	UL 92V-2 (With ears)	UL 92V-0 (With ears)	UL 92V-2 (Without ears)	UL 92V-0 (Without ears)	A	B	C
2	6739 - 2021	6739 - 2022	6739 - 2023	6739 - 2024	4,20(0,165)	9,60(0,378)	15,00(0,591)
3	6739 - 2031	6739 - 2032	6739 - 2033	6739 - 2034	8,40(0,331)	13,80(0,543)	19,20(0,756)
4	6739 - 2041	6739 - 2042	6739 - 2043	6739 - 2044	12,60(0,496)	18,00(0,709)	23,40(0,921)
5	6739 - 2051	6739 - 2052	6739 - 2053	6739 - 2054	16,80(0,661)	22,20(0,874)	27,60(1,087)
6	6739 - 2061	6739 - 2062	6739 - 2063	6739 - 2064	21,00(0,827)	26,40(1,039)	31,80(1,252)
7	6739 - 2071	6739 - 2072	6739 - 2073	6739 - 2074	25,20(0,992)	30,60(1,205)	36,00(1,417)
8	6739 - 2081	6739 - 2082	6739 - 2083	6739 - 2084	29,40(1,157)	34,80(1,370)	40,20(1,583)
9	6739 - 2091	6739 - 2092	6739 - 2093	6739 - 2094	33,60(1,323)	39,00(1,535)	44,40(1,748)
10	6739 - 2101	6739 - 2102	6739 - 2103	6739 - 2104	37,80(1,488)	43,20(1,701)	48,60(1,913)
11	6739 - 2111	6739 - 2112	6739 - 2113	6739 - 2114	42,00(1,654)	47,40(1,866)	52,80(2,079)
12	6739 - 2121	6739 - 2122	6739 - 2123	6739 - 2124	46,20(1,819)	51,60(2,031)	57,00(2,244)