

# MICRO POWER CONNECTORES

**Leotronics**

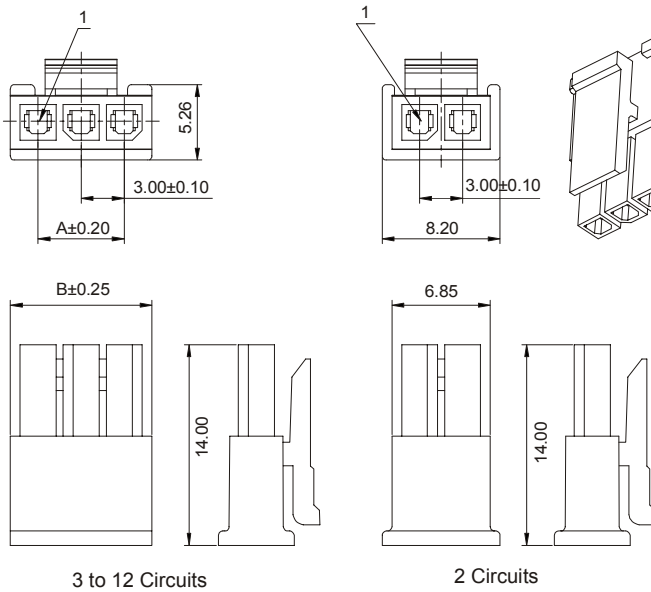
## 5750 SERIES. High density. Pitch 3.00 mm. (0.118").

### Features

- Available in 2 to 12 circuits
- Available with and without mounting pegs
- Insulator Material: Nylon 6/6; UL 94V-0
- For connecting cable to cable and cable to panel
- Mates with sockets 5751 and 5752 series
- To be used with terminals 5741 and 5742
- Positive lock
- Distance between circuits 3.00 mm.
- Max. Current rating: 5 A.

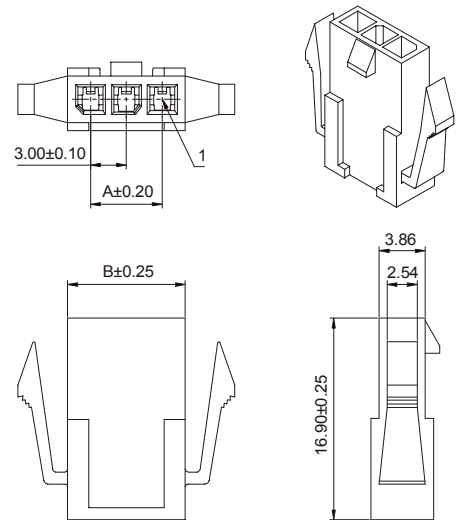
### Dimensional Information

#### FEMALE CONNECTOR



### Ordering and Dimensional Information

#### MALE CONNECTOR



| Circuits | Max. Current<br>Amper | Max. Voltage | Part Number        | Dimensions    |               |   |   |
|----------|-----------------------|--------------|--------------------|---------------|---------------|---|---|
|          |                       |              |                    | A             | B             | C | D |
| 2        | 5                     | 250          | <b>5750 - 1021</b> | 3.00 (0.118)  | 6.90 (0.272)  | - | - |
| 3        | 5                     | 250          | <b>5750 - 1031</b> | 6.00 (0.236)  | 9.90 (0.390)  | - | - |
| 4        | 5                     | 250          | <b>5750 - 1041</b> | 9.00 (0.354)  | 12.90 (0.508) | - | - |
| 5        | 5                     | 250          | <b>5750 - 1051</b> | 12.00 (0.472) | 15.90 (0.626) | - | - |
| 6        | 5                     | 250          | <b>5750 - 1061</b> | 15.00 (0.591) | 18.90 (0.744) | - | - |
| 7        | 5                     | 250          | <b>5750 - 1071</b> | 18.00 (0.709) | 21.90 (0.862) | - | - |
| 8        | 5                     | 250          | <b>5750 - 1081</b> | 21.00 (0.827) | 24.90 (0.980) | - | - |
| 9        | 5                     | 250          | <b>5750 - 1091</b> | 24.00 (0.945) | 27.90 (1.098) | - | - |
| 10       | 5                     | 250          | <b>5750 - 1101</b> | 27.00 (1.063) | 30.90 (1.217) | - | - |
| 11       | 5                     | 250          | <b>5750 - 1111</b> | 30.00 (1.181) | 33.90 (1.335) | - | - |
| 12       | 5                     | 250          | <b>5750 - 1121</b> | 33.00 (1.300) | 36.90 (1.452) | - | - |

### MALE CONNECTORS

| Circuits | Max. Current<br>Amper | Max. Voltage | Part Number        | Dimensions    |               |   |   |
|----------|-----------------------|--------------|--------------------|---------------|---------------|---|---|
|          |                       |              |                    | A             | B             | C | D |
| 2        | 5                     | 250          | <b>5750 - 2021</b> | 3.00 (0.118)  | 6.90 (0.272)  | - | - |
| 3        | 5                     | 250          | <b>5750 - 2031</b> | 6.00 (0.236)  | 9.90 (0.390)  | - | - |
| 4        | 5                     | 250          | <b>5750 - 2041</b> | 9.00 (0.354)  | 12.90 (0.508) | - | - |
| 5        | 5                     | 250          | <b>5750 - 2051</b> | 12.00 (0.472) | 15.90 (0.626) | - | - |
| 6        | 5                     | 250          | <b>5750 - 2061</b> | 15.00 (0.591) | 18.90 (0.744) | - | - |
| 7        | 5                     | 250          | <b>5750 - 2071</b> | 18.00 (0.709) | 21.90 (0.862) | - | - |
| 8        | 5                     | 250          | <b>5750 - 2081</b> | 21.00 (0.827) | 24.90 (0.980) | - | - |
| 9        | 5                     | 250          | <b>5750 - 2091</b> | 24.00 (0.945) | 27.90 (1.098) | - | - |
| 10       | 5                     | 250          | <b>5750 - 2101</b> | 27.00 (1.063) | 30.90 (1.217) | - | - |
| 11       | 5                     | 250          | <b>5750 - 2111</b> | 30.00 (1.181) | 33.90 (1.335) | - | - |
| 12       | 5                     | 250          | <b>5750 - 2121</b> | 33.00 (1.300) | 36.90 (1.452) | - | - |