

TYPE B BOARD MOUNT CONNECTOR

5601 SERIES Receptacle. For PCB Solder

Features

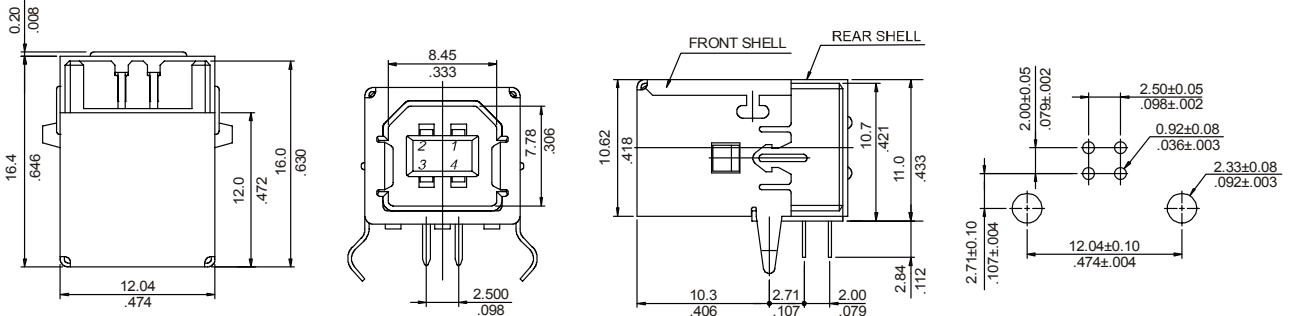
- Available in 1 connector (4 Circuits)
- Insulator Material: Glass filled polyester UL 94V-0
- Contact Material: Phosphor Bronze
- Material Shell: Tin Steel
- Available with or without Rear shell

Dimensional Information

Ordering and Dimensional Information

Part Number

5601 - 3041



RECOMMENDED HOLE PATTERN

TYPE A STRAIGHT DIP RECEPTACLE CONN.

5602 SERIES For PCB Solder

Features

- Available in 1 connector (4 Circuits)
- Insulator Material: Glass filled polyester UL 94V-0
- Contact Material: Phosphor Bronze
- Material Shell: Tin Steel

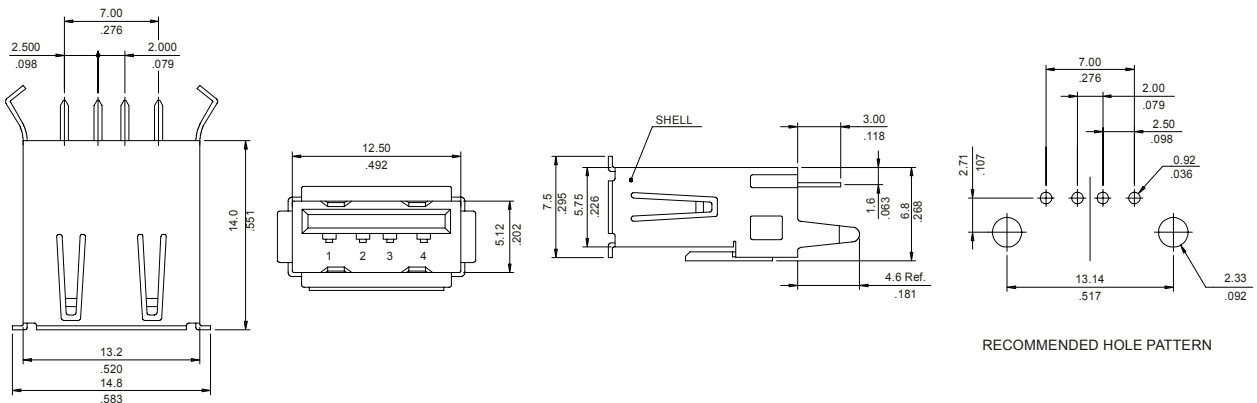
Dimensional Information

Ordering and Dimensional Information

Circuit Size	Part Number	
	White	Black
4	5602-T041	5602-T042

T = Plating Options

- T = 13. Selective gold flash over 50µ" nickel
RECOMMENDED FINISH
- T = 15. 15µ" selective gold over 50µ" nickel



RECOMMENDED HOLE PATTERN