

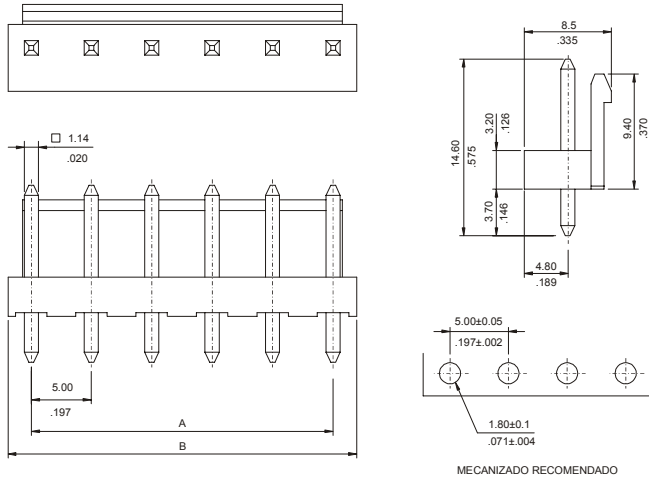
# SINGLE ROW STRAIGHT LOCKING HEADER

## 5051 SERIES 5.00mm (0.197") Square Pin Header. For PCB Solder

### Features

- Available in 2 through 12 circuits
- Insulation Material: Nylon 6/6 UL 94V-0
- 1.14mm (.045") square pin in tinned brass
- Mates with 5050 socket series
- Polarised and with locking ramp
- For other options consult the Sales Office

### Dimensional Information



### Ordering and Dimensional Information

Circuit Size	Part Number	Dimensions	
		A	B
02	5051-2021	5.00(0.197)	9.90(0.390)
03	5051-2031	10.00(0.394)	14.90(0.587)
04	5051-2041	15.00(0.591)	19.90(0.783)
05	5051-2051	20.00(0.787)	24.90(0.980)
06	5051-2061	25.00(0.984)	29.90(1.177)
07	5051-2071	30.00(1.181)	34.90(1.374)
08	5051-2081	35.00(1.378)	39.90(1.571)
09	5051-2091	40.00(1.575)	44.90(1.768)
10	5051-2101	45.00(1.772)	49.90(1.965)
11	5051-2111	50.00(1.969)	54.90(2.161)
12	5051-2121	55.00(2.165)	59.90(2.358)

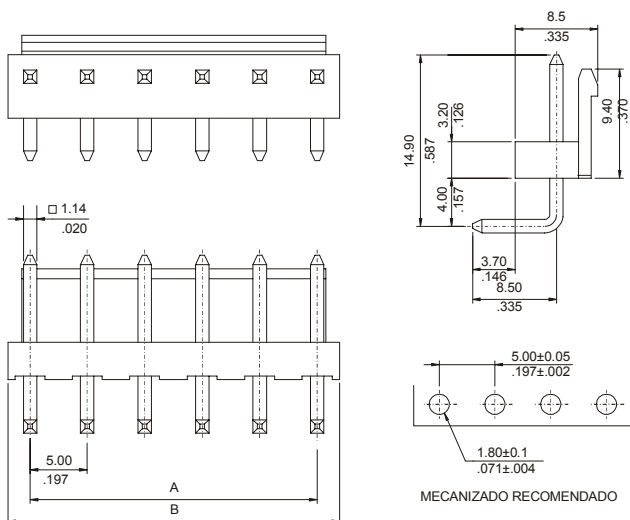
# SINGLE ROW R / ANGLE POLARISED HEADER

## 5052 SERIES 5.00mm (0.197") Square pin. For PCB Solder

### Features

- Available in 2 through 12 circuits
- Insulation Material: Nylon 6/6 UL 94V-0
- 1.14mm (.045") square pin in tinned brass
- Mates with 5050 socket series
- Polarised with locking ramp
- For other options consult the Sales Office

### Dimensional Information



### Ordering and Dimensional Information

Circuit Size	Part Number	Dimensions	
		A	B
02	5052-2021	5.00(0.197)	9.90(0.390)
03	5052-2031	10.00(0.394)	14.90(0.587)
04	5052-2041	15.00(0.591)	19.90(0.783)
05	5052-2051	20.00(0.787)	24.90(0.980)
06	5052-2061	25.00(0.984)	29.90(1.177)
07	5052-2071	30.00(1.181)	34.90(1.374)
08	5052-2081	35.00(1.378)	39.90(1.571)
09	5052-2091	40.00(1.575)	44.90(1.768)
10	5052-2101	45.00(1.772)	49.90(1.965)
11	5052-2111	50.00(1.969)	54.90(2.161)
12	5052-2121	55.00(2.165)	59.90(2.358)