

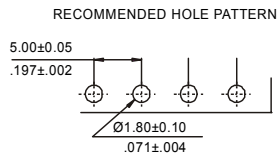
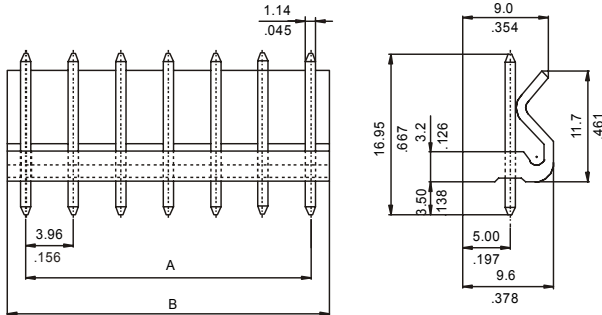
# SINGLE ROW STRAIGHT POLARISED HEADER

## 5005 SERIES 5.00mm (0.197") Square Pin. For PCB Solder

### Features

- Available in 2 through 16 circuits
- Insulation Material: Nylon 6/6 UL 94V-0
- 1.14mm (.045") square pin in copper alloy
- Mates with 5000 series socket
- Polarised with moulded friction lock
- Pin omit options are available

### Dimensional Information



### Ordering and Dimensional Information

Circuit Size	Part Number	Dimensions	
		A	B
02	5005-2021	5,00(0,197)	10,00(0,394)
03	5005-2031	10,00(0,394)	15,00(0,591)
04	5005-2041	15,00(0,591)	20,00(0,787)
05	5005-2051	20,00(0,787)	25,00(0,984)
06	5005-2061	25,00(0,984)	30,00(1,181)
07	5005-2071	30,00(1,181)	35,00(1,378)
08	5005-2081	35,00(1,378)	40,00(1,575)
09	5005-2091	40,00(1,575)	45,00(1,772)
10	5005-2101	45,00(1,772)	50,00(1,969)
11	5005-2111	50,00(1,969)	55,00(2,165)
12	5005-2121	55,00(2,165)	60,00(2,362)
13	5005-2131	60,00(2,362)	65,00(2,559)
14	5005-2141	65,00(2,559)	70,00(2,756)
15	5005-2151	70,00(2,756)	75,00(2,953)
16	5005-2161	75,00(2,953)	80,00(3,150)

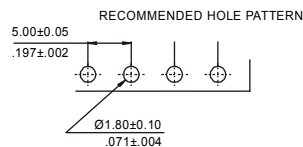
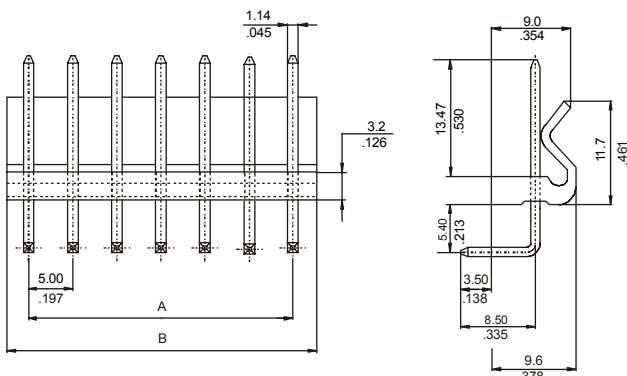
# SINGLE ROW R/ANGLE POLARISED HEADER

## 5006 SERIES 5.00mm (0.197") Square Pin. For PCB Solder

### Features

- Available in 2 through 16 circuits
- Insulator Material: Nylon 6/6 UL 94V-0
- 1.14mm (.045") tin plated square pin in copper alloy
- Polarised with moulded friction lock
- Mates with 5000 series socket
- With standoff minimise flux retention
- Pin omit options are available

### Dimensional Information



### Ordering and Dimensional Information

Circuit Size	Part Number	Dimensions	
		A	B
02	5006-2021	5,00(0,197)	10,00(0,394)
03	5006-2031	10,00(0,394)	15,00(0,591)
04	5006-2041	15,00(0,591)	20,00(0,787)
05	5006-2051	20,00(0,787)	25,00(0,984)
06	5006-2061	25,00(0,984)	30,00(1,181)
07	5006-2071	30,00(1,181)	35,00(1,378)
08	5006-2081	35,00(1,378)	40,00(1,575)
09	5006-2091	40,00(1,575)	45,00(1,772)
10	5006-2101	45,00(1,772)	50,00(1,969)
11	5006-2111	50,00(1,969)	55,00(2,165)
12	5006-2121	55,00(2,165)	60,00(2,362)
13	5006-2131	60,00(2,362)	65,00(2,559)
14	5006-2141	65,00(2,559)	70,00(2,756)
15	5006-2151	70,00(2,756)	75,00(2,953)
16	5006-2161	75,00(2,953)	80,00(3,150)