

CRIMP TYPE SOCKET

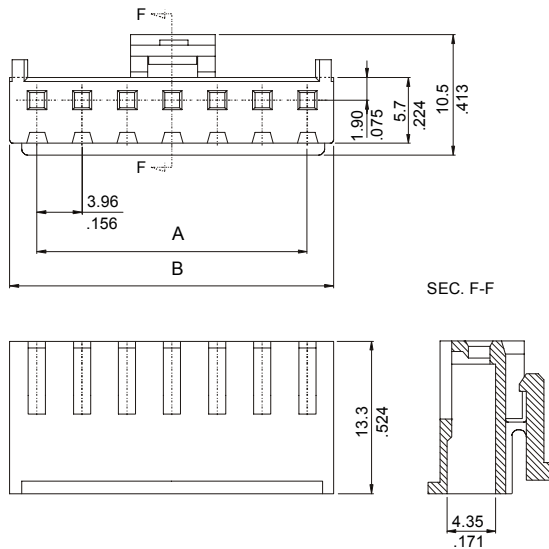


3950 SERIES 3.96mm (0.156"). With Locking Mechanism

Features

- Available in 2 through 12 circuits
- Insulator Material: Nylon 6/6 UL 94V-0
- Polarised with locking mechanism
- Accepts 3953 and 3954 crimp terminal
- Mates with 3951 and 3952 friction lock headers
- For **GWT** option (Glow Wire Test Approval), please add **E** at the end of Part Number (Example: 3950-XXXXE)

Dimensional Information



Ordering and Dimensional Information

Circuit Size	Part Number	Dimensions	
		A	B
02	3950-2021	3,96(0,156)	8,70 (0,343)
03	3950-2031	7,92(0,312)	12,60(0,496)
04	3950-2041	11,88(0,468)	16,60(0,654)
05	3950-2051	15,84(0,624)	20,60(0,811)
06	3950-2061	19,80(0,780)	24,50(0,965)
07	3950-2071	23,76(0,935)	28,50(1,122)
08	3950-2081	27,72(1,091)	32,40(1,276)
09	3950-2091	31,68(1,247)	36,40(1,433)
10	3950-2101	35,64(1,403)	40,40(1,591)
11	3950-2111	39,60(1,559)	44,30(1,744)
12	3950-2121	43,56(1,715)	48,30(1,902)

CRIMP TERMINAL



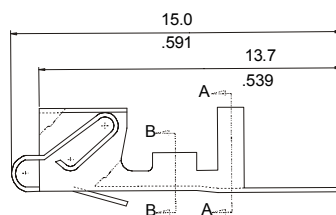
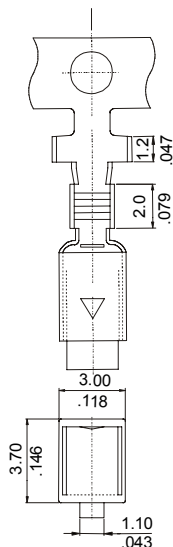
3953 & 3954 SERIES 3.96mm Crimp Terminal

Features

- Contact Material: Pre-finned copper alloy
- Dual contact row
- Mates with 1.14mm (.045") square pin
- Can be used in 3950 series socket
- Accommodates wire ranges: AWG 18 - 26

Dimensional Information

Ordering and Dimensional Information



Reel Quantity	Part Number	Material	Wire Range	Insulation Diameter
12,000 Pcs (Reel)	3953 - 2000	Copper Alloy	AWG 18 - 22	2.70(0.106) Max.
Loose Piece	3953 - 2001	Copper Alloy	AWG 18 - 22	2.70(0.106) Max.
12,000 Pcs (Reel)	3954 - 2000	Copper Alloy	AWG 22 - 26	1.50(0.059) Max.
Loose Piece	3954 - 2001	Copper Alloy	AWG 22 - 26	1.50(0.059) Max.

