

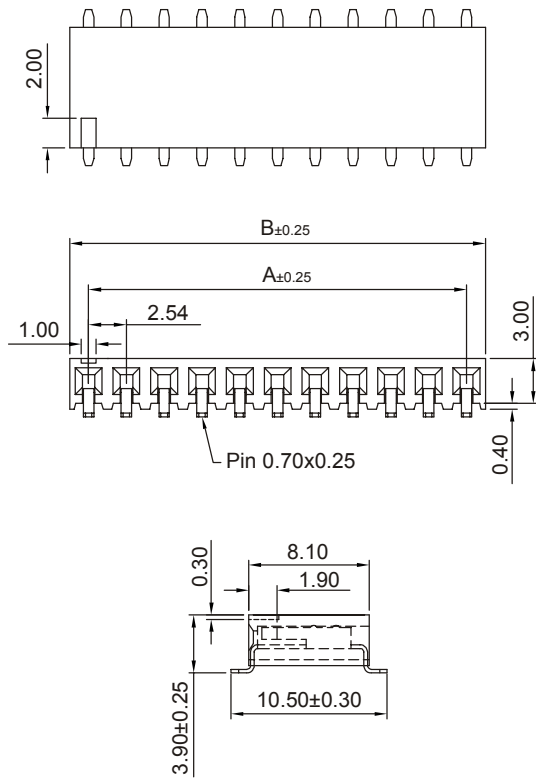
# SIDE ENTRY SINGLE ROW SMT SOCKET

## 2452 SERIES 2.54mm (0.100") For PCB Solder

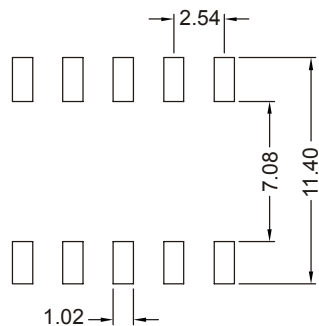
### Features

- Available in 2 through 40 circuits
- Mates with single row 2.54mm and 0.64 mm square pin
- Material: Nylon 6T UL 94V-0
- Phosphor bronze terminal with different plating options
- Dual iron strap contact with low insertion force
- Side entry
- Low profile 3.90 mm

### Dimensional Information



### RECOMMENDED PCB LAYOUT



### Ordering and Dimensional Information:

Circuit Size	Part Number	Dimensions	
		A	B
02	2452-T021E	2,54(0,100)	5,08(0,200)
03	2452-T031E	5,08(0,200)	7,62(0,300)
04	2452-T041E	7,62(0,300)	10,16(0,400)
05	2452-T051E	10,16(0,400)	12,70(0,500)
06	2452-T061E	12,70(0,500)	15,24(0,600)
07	2452-T071E	15,24(0,600)	17,78(0,700)
08	2452-T081E	17,78(0,700)	20,32(0,800)
09	2452-T091E	20,32(0,800)	22,86(0,900)
10	2452-T101E	22,86(0,900)	25,40(1,000)
11	2452-T111E	25,40(1,000)	27,94(1,100)
12	2452-T121E	27,94(1,100)	30,48(1,200)
13	2452-T131E	30,48(1,200)	33,02(1,300)
14	2452-T141E	33,02(1,300)	35,56(1,400)
15	2452-T151E	35,56(1,400)	38,10(1,500)
16	2452-T161E	38,10(1,500)	40,64(1,600)
17	2452-T171E	40,64(1,600)	43,18(1,700)
18	2452-T181E	43,18(1,700)	45,72(1,800)
19	2452-T191E	45,72(1,800)	48,26(1,900)
20	2452-T201E	48,26(1,900)	50,80(2,000)
21	2452-T211E	50,80(2,000)	53,34(2,100)
22	2452-T221E	53,34(2,100)	55,88(2,200)
23	2452-T231E	55,88(2,200)	58,42(2,300)
24	2452-T241E	58,42(2,300)	60,96(2,400)
25	2452-T251E	60,96(2,400)	63,50(2,500)
26	2452-T261E	63,50(2,500)	66,04(2,600)
27	2452-T271E	66,04(2,600)	68,58(2,700)
28	2452-T281E	68,58(2,700)	71,12(2,800)
29	2452-T291E	71,12(2,800)	73,66(2,900)
30	2452-T301E	73,66(2,900)	76,20(3,000)
31	2452-T311E	76,20(3,000)	78,74(3,100)
32	2452-T321E	78,74(3,100)	81,28(3,200)
33	2452-T331E	81,28(3,200)	83,82(3,300)
34	2452-T341E	83,82(3,300)	86,36(3,400)
35	2452-T351E	86,36(3,400)	88,90(3,500)
36	2452-T361E	88,90(3,500)	91,44(3,600)
37	2452-T371E	91,44(3,600)	93,98(3,700)
38	2452-T381E	93,98(3,700)	96,52(3,800)
39	2452-T391E	96,52(3,800)	99,06(3,900)
40	2452-T401E	99,06(3,900)	101,60(4,000)

### T = Contact Plating

- T = 2. Tin-plated.
  - T = 3. Gold flash over 1.27 μ Ni.
- RECOMMENDED FINISH
- T = 5. 0.38 μ Gold over 1.27 μ Ni.
  - T = 6. 0.75 μ Gold over 1.27 μ Ni.

### E = Conector Packaging

- E = 1. Tube + Plastic Pad
- E = 2. Reel + Plastic Pad