

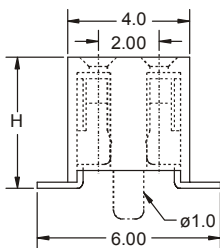
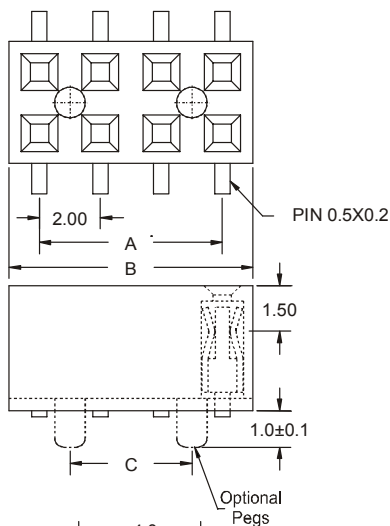
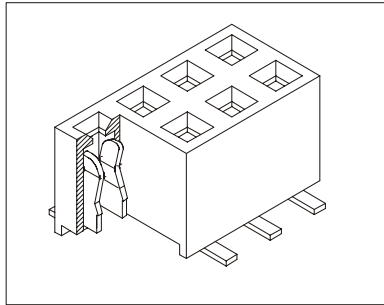
2.00mm DUAL ROW PCB SOCKET SMT

2105 SERIES 2.00mm (0.079") PCB Solder

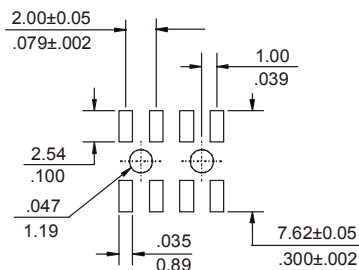
Features

- Available in 6 through 80 circuits
- Material: Nylon 6-T UL 94V-0
- Mates with 2.00mm pitch and 0.50mm pin headers
- Low profile 4.30 / 4.50 mm
- Different plating options are available
- High quality dual beam phosphor bronze contacts
- Designed for board to board small spacing interconnection
- Optional: PCB fixing post and height
- For other options consult the Sales Office

Dimensional Information



RECOMMENDED PCB LAYOUT



Ordering and Dimensional Information

2105 - T- XX- P- L- E
 1 2 3 4 5 6

1. Series

2. Plating Options

T = Contact Plating

- T = 2. Tin plated
- T = 3. Gold flash over 50µ" nickel.
Recommended Finish
- T = 5. 15µ" gold over 50µ" nickel
- T = 6. 30µ" gold over 50µ" nickel
- T = 13. Selective gold flash over 50µ" nickel
- T = 15. 15µ" selective gold over 50µ" nickel
- T = 16. 30µ" selective gold over 50µ" nickel

3. Circuits

- Available in 6 through 80 circuits

4. Fixing System

- P = 1. W/O pegs
- P = 2. With pegs

5. Height

- L = 1. H = 4.30 mm.
- L = 2. H = 4.50 mm.

6. Packing Options

- E = 1. Tube + Pad
- E = 2. Reel + Pad
- E = 3. Tube + Film
- E = 4. Reel + Film

DIMENSIONS: (In mm.)

$$A = 2.00 \left(\frac{XX}{2} - 1 \right) \quad B = 2.00 \left(\frac{XX}{2} \right) \quad C = 2.00 \left(\frac{XX}{2} - 2 \right)$$

XX = Number of Circuits