

DUAL ROW STRAIGHT SHROUDED HEADER

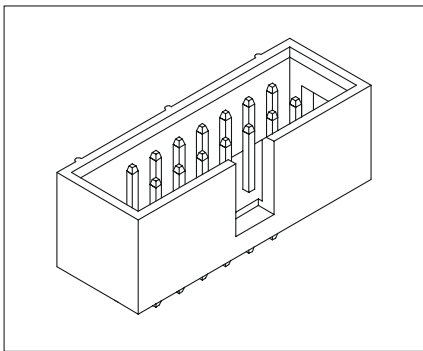
1546 SERIES. 1.27 x 2.54mm(0.050 x 0.100"). Low Profile

Features

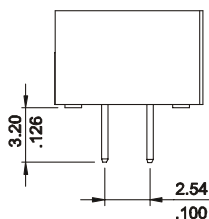
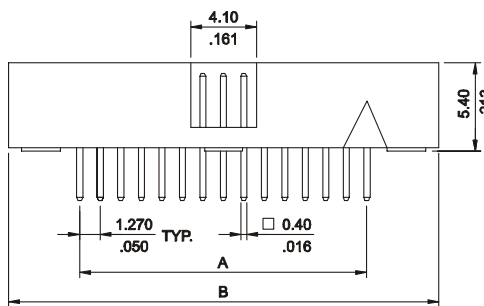
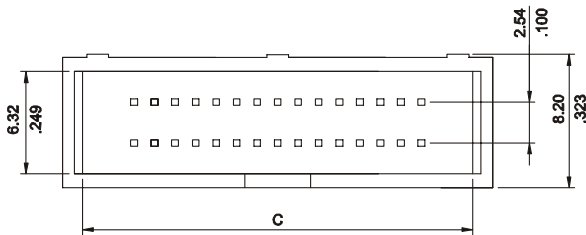
- Available in 10, 20, 30, 40, 50, 60, 70, 80, 90 and 100 circuits
- Mates with 1.27 x 2.54mm socket 1540 series
- Contact Material: Copper alloy
- Insulator Material: P.B.T. UL 94V-0
- Different plating options are available
- Fully shrouded
- For other options consult the Sales Office

Dimensional Information

Ordering and Dimensional Information



| Circuit Size | Part Number | Dimensions | | |
|--------------|--------------------|---------------|---------------|---------------|
| | | A | B | C |
| 10 | 1546 - T010 | 5.08 (0.200) | 14.00 (0.551) | 11.60 (0.457) |
| 20 | 1546 - T020 | 11.43 (0.450) | 20.40 (0.803) | 18.00 (0.709) |
| 30 | 1546 - T030 | 17.78 (0.700) | 26.70 (1.051) | 24.30 (0.957) |
| 40 | 1546 - T040 | 24.13 (0.950) | 33.10 (1.303) | 30.70 (1.209) |
| 50 | 1546 - T050 | 30.48 (1.200) | 39.40 (1.551) | 37.00 (1.457) |
| 60 | 1546 - T060 | 36.83 (1.450) | 45.80 (1.803) | 43.40 (1.709) |
| 70 | 1546 - T070 | 43.18 (1.700) | 52.10 (2.051) | 49.70 (1.957) |
| 80 | 1546 - T080 | 49.53 (1.950) | 58.50 (2.303) | 56.10 (2.209) |
| 90 | 1546 - T090 | 55.88 (2.200) | 64.80 (2.551) | 62.40 (2.457) |
| 100 | 1546 - T100 | 62.23 (2.450) | 71.60 (2.819) | 69.20 (2.724) |



T = Contact Plating

- T = 2. Tin plated
- T = 3. Gold flash over 50μ" nickel
Recommended Finish
- T = 5. 15μ" gold over 50μ" nickel
- T = 6. 30μ" gold over 50μ" nickel
- T = 13. Selective gold flash over 50μ" nickel.
- T = 15. 15μ" selective gold over 50μ" nickel
- T = 16. 30μ" selective gold over 50μ" nickel

