

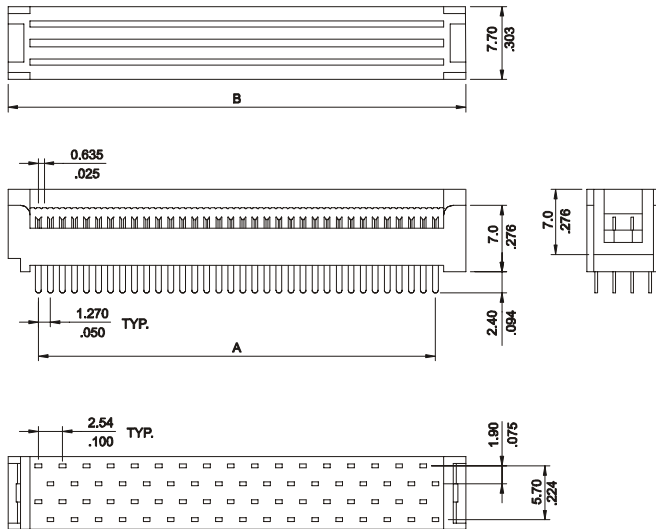
# HIGH DENSITY DIP PLUG

## 1545 SERIES. 1.27 x 2.54mm(0.050 x 0.100"). For PCB Solder

### Features

- Available in 30, 50, 68, 80 and 100 circuits.
- Contact Material: Copper alloy
- Insulator Material: Nylon 6T UL 94V-0
- Different pin plating options are available
- Four rows of contacts
- Accepts 0.635mm ribbon cable

### Dimensional Information



### Ordering and Dimensional Information

Circuit Size	Part Number	Dimensions	
		A	B
30	1545 - 2030	17.78 (0.700)	23.83 (0.939)
50	1545 - 2050	30.48 (1.200)	36.53 (1.439)
68	1545 - 2068	44.45 (1.750)	50.50 (1.989)
80	1545 - 2080	49.53 (1.950)	55.58 (2.189)
100	1545 - 2100	62.23 (2.450)	68.28 (2.689)

