

0.50mm HORIZONTAL SMT ZIF CONNECTOR

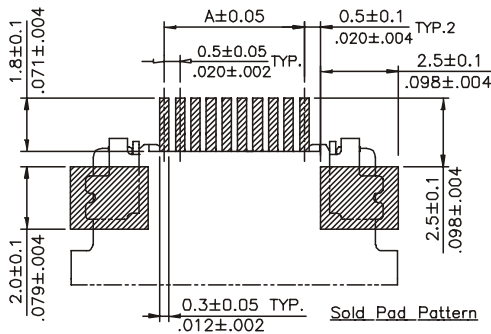
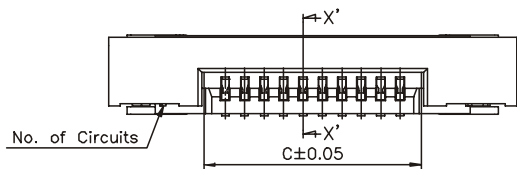
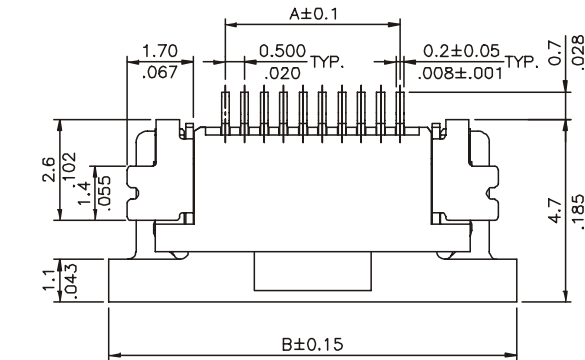


0515 SERIES. 0.50mm(0.020"). For PCB Solder

Features

- Available in 06 to 50 circuits
- Insulation: High temperature plastic UL 94V-0 col. nature
- Slider: High temperature plastic UL 94V-0 colour Brown
- Actuator designed easy for FFC/FPC installation
- Contact Material: Tin plated over copper alloy
- Upside or Downside contact
- With fixed metal tabs to secure connector in place
- Available in Tube or Reel packing

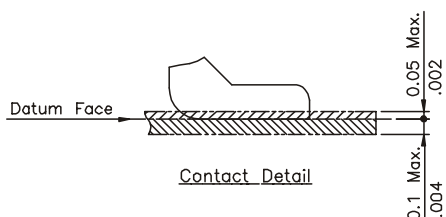
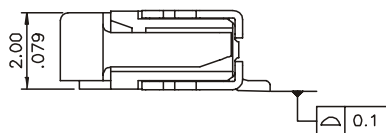
Dimensional Information



$$A = 0.50 * \text{No. of Spaces}$$

$$B = A + 6.0$$

$$C = A + 1.1$$



Ordering and Dimensional Information

0515 - 2- XX- S E
 1 2 3 4 5

1. Series

2. (T) Finish Of Contacts

- Tin Plated available

3. (XX) Circuit Size

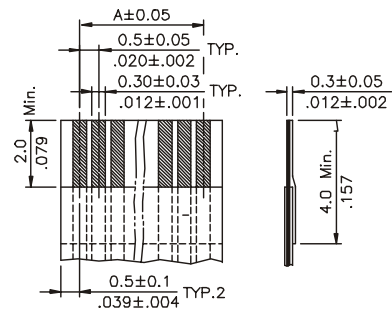
- Available in 06 through 50 circuits

4. (S) Options

- E = 1. Upside Contact
- E = 2. Downside Contact

5. (E) Code Packing

- E = 1. PAD + TUBE
- E = 2. PAD + REEL



Accommodated FFC/FPC

